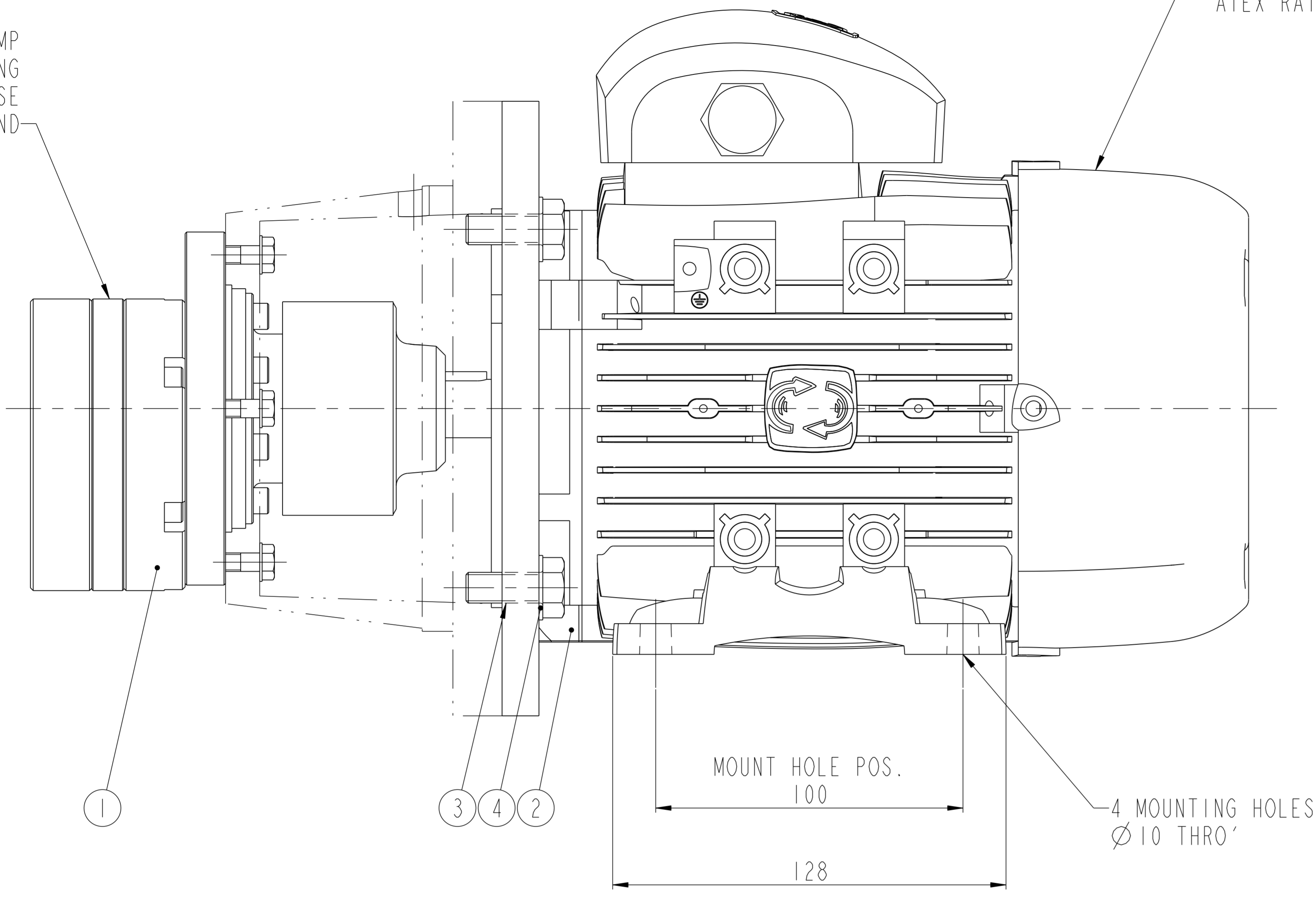


ITEM	DESCRIPTION	QTY
1	PUMP	1
2	MOTOR	1
3	HEX HD SCREW	4
4	WASHER	4

CAD ORIGINAL DO NOT ALTER BY HAND

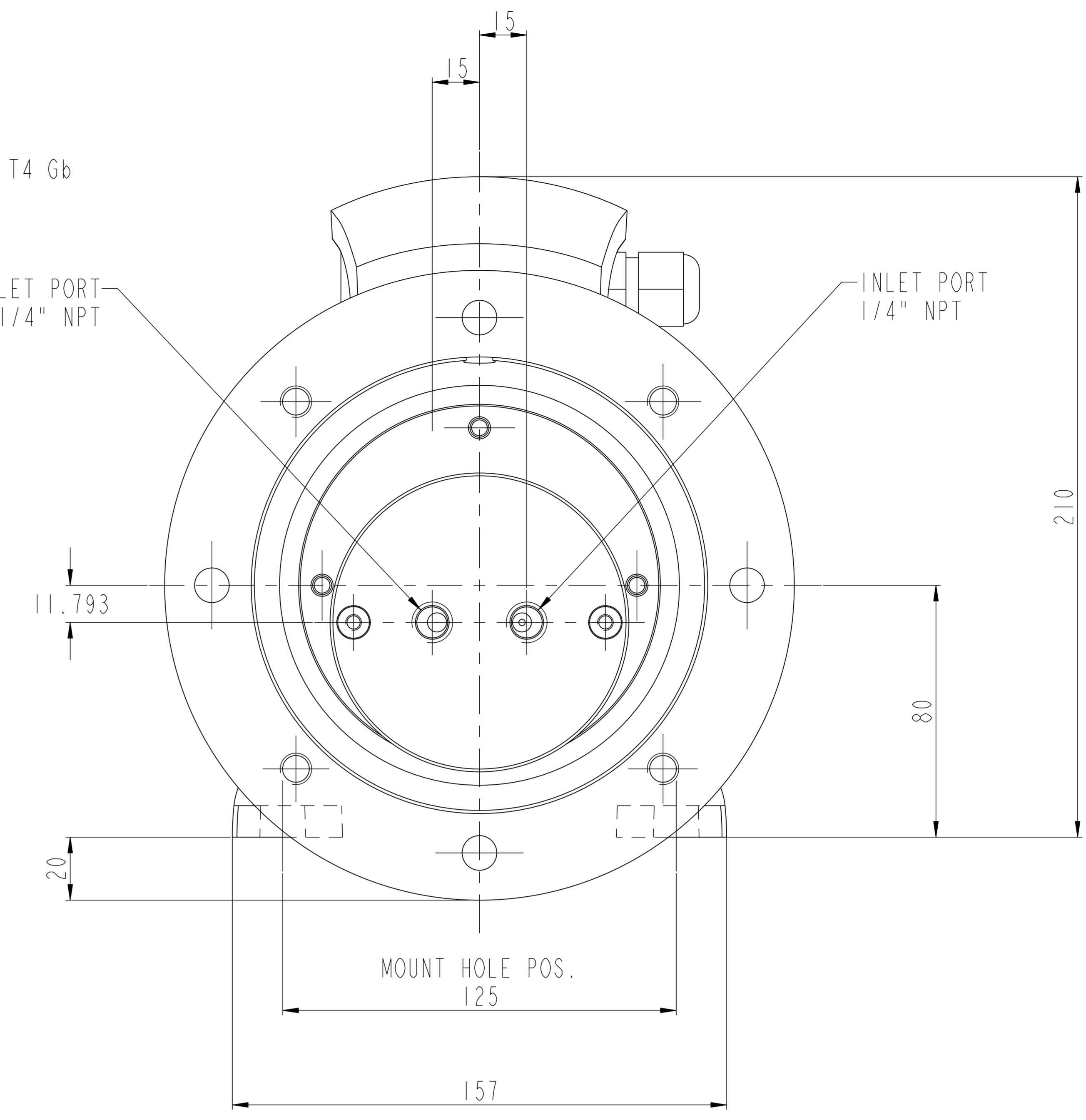
0.6-3.0cc METERING PUMP  
WITH MAGNETIC COUPLING  
ROTATION: CLOCKWISE  
LOOKING ON SHAFT END

0.75kW, 4 POLE ATEX MOTOR  
230/400V, 3PH, 50Hz, 2890 RPM  
ATEX RATING: ATEX 112G Ex eb IIC T4 Gb

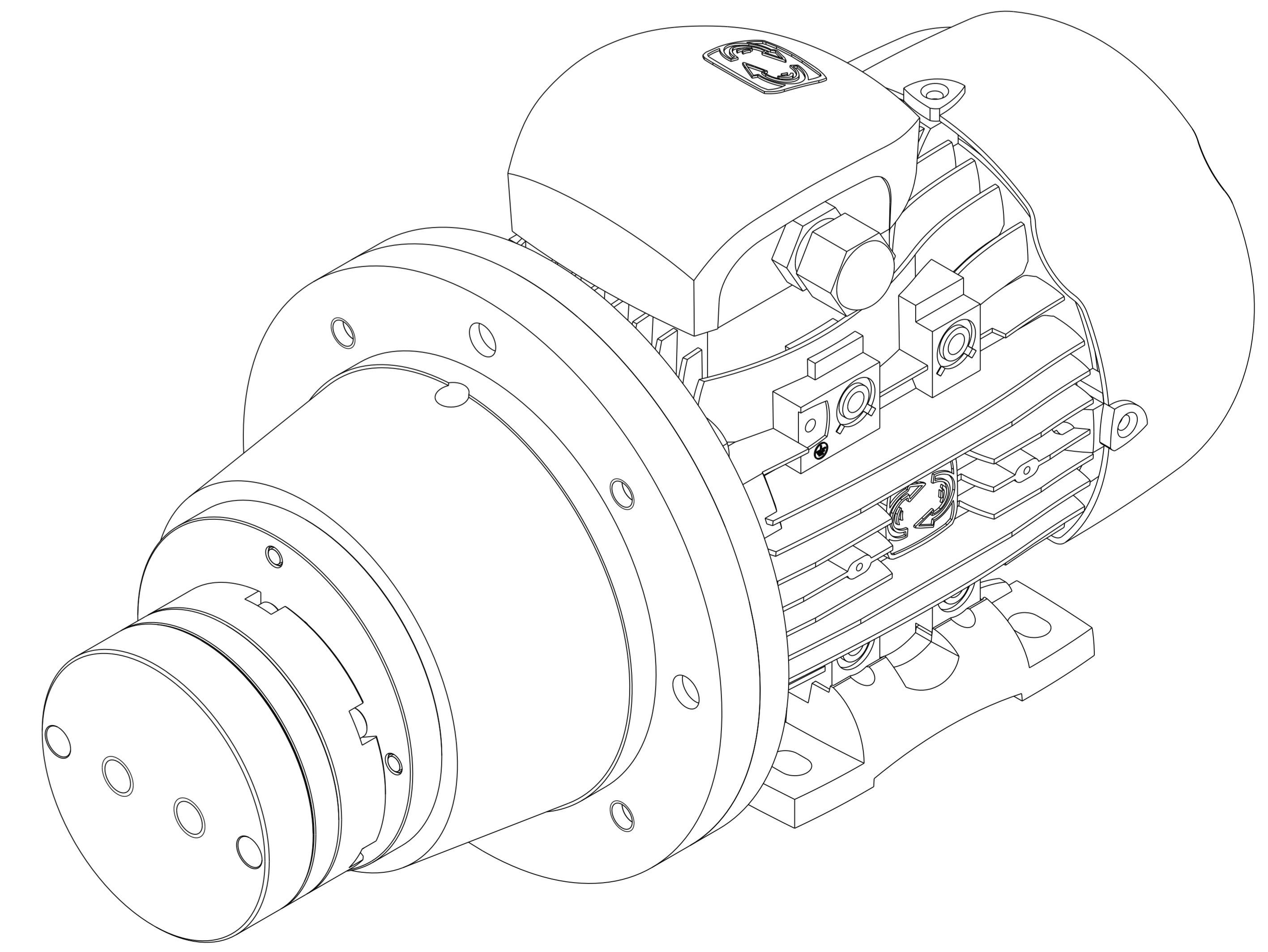
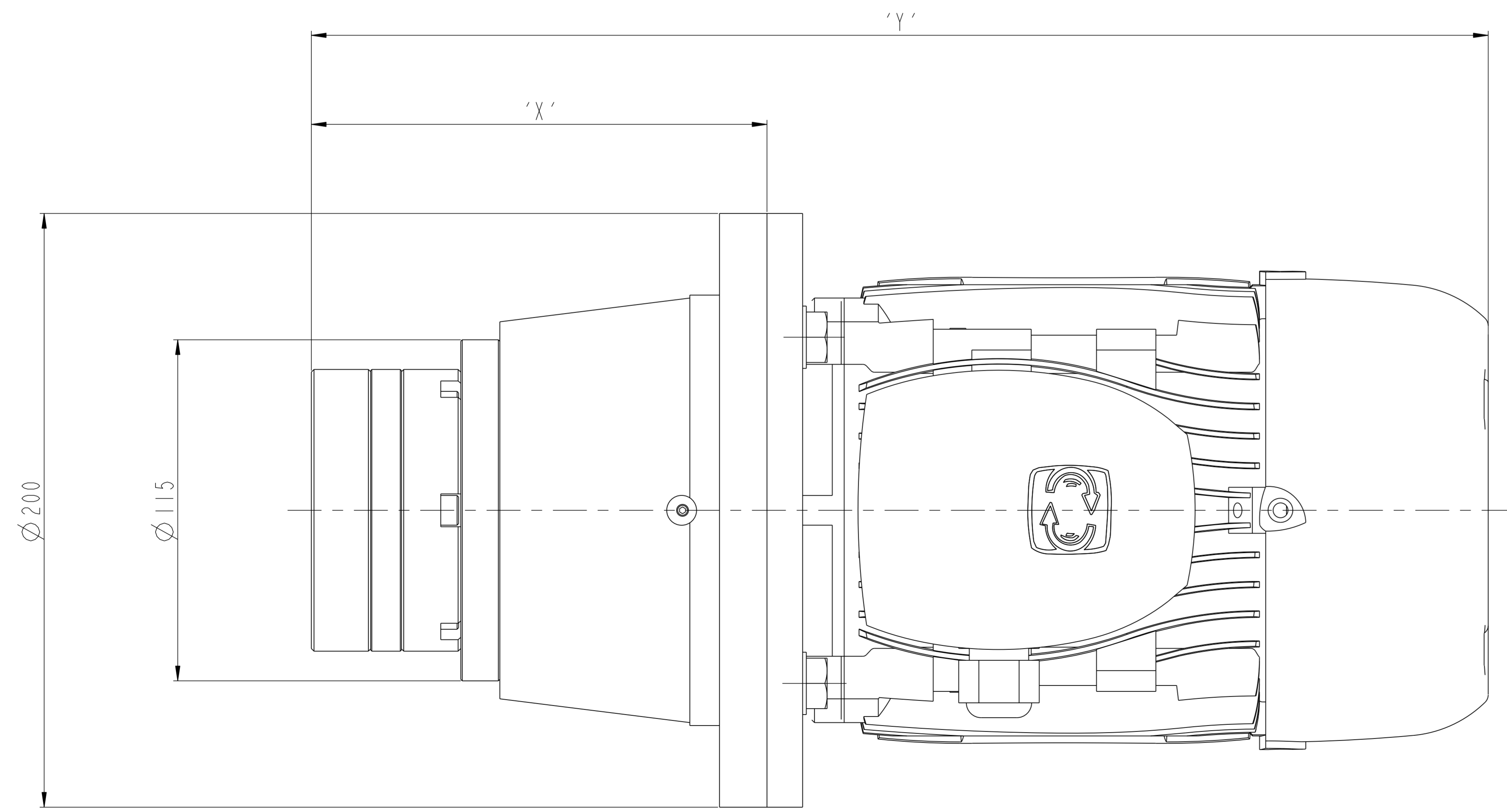


OUTLET PORT  
1/4" NPT

INLET PORT  
1/4" NPT



BELLOUSING SHOWN TRANSPARENT FOR CLARITY



UNIT TYPE	PUMP TYPE	CAP / REV	DIMENSION 'X'	DIMENSION 'Y'
SN10401-S1	SPLV0.6C	1 x 0.6cc	150.3	400.4
	SPLV1.2C	1 x 1.2cc	155.5	405.6
	SPLV3.0C	1 x 3.0cc	171.1	421.2

GEOMETRIC TOLERANCE SYMBOLS REF. B.S. 308 : PART 3 : 1990				MATERIAL		DIMENSIONS IN MM		TEXT	
—	PARALLELISM	∥	SYMMETRY	≡	SPEC.	SURF. TEXT IN ROUGHNESS NOS.	DR 'N.	DATE	SLACK & PARR LTD.
⊥	SQUARENESS	⊥	M.M.C.	⊗	TREATMENT	TOLERANCE UNLESS STATED	CH'D.	20-May-21	KEGWORTH-DERBY-ENGLAND
○	ROUNDNESS	○	MACHINE	✓	HARDNESS	DIMENSIONS ±	PROJ./TYPE/SERIAL NO.		SPLV MEDIUM
∕	CYLINDRICITY	∕	RUN OUT	✓	FINISH	ANGULAR	TITLE		ARR & INST OF PUMP UNIT
⊕	POSITION	⊕	DO NOT M/C	✓	CLASS	THREAD TOLERANCE CLASS 6H/6g			
⊙	CONCENTRICITY	⊙	TAPER	⇒	PATT.	SIM. TO AS04594			

REV.	ZONE	ALTERATION	SIG. & DATE	CAT.	PROF. OF A SURF.	PROF. OF A LINE	SIG. & DATE	CAT.	PROF. OF A SURF.
1	A4/5	MOTOR SPEC WAS 2 POLE	CN 27.07.21	D	PROF. OF A LINE	POSITION			

© SLACK & PARR LTD. 2021 THE DESIGN AND INFORMATION CONTAINED IN THIS DRAWING IS STRICTLY CONFIDENTIAL AND IS THE EXCLUSIVE PROPERTY OF SLACK & PARR LIMITED AND MUST NOT BE USED, COPIED OR REPRODUCED IN PART OR WHOLE WITHOUT WRITTEN PERMISSION FROM SLACK & PARR LIMITED.

SCALE 1:1

DR 'N. CN

PROJ./TYPE/SERIAL NO. SPLV MEDIUM

TITLE ARR & INST OF PUMP UNIT

SHEET 1 OF 1

ORG. NO. A904597

REVISION 1