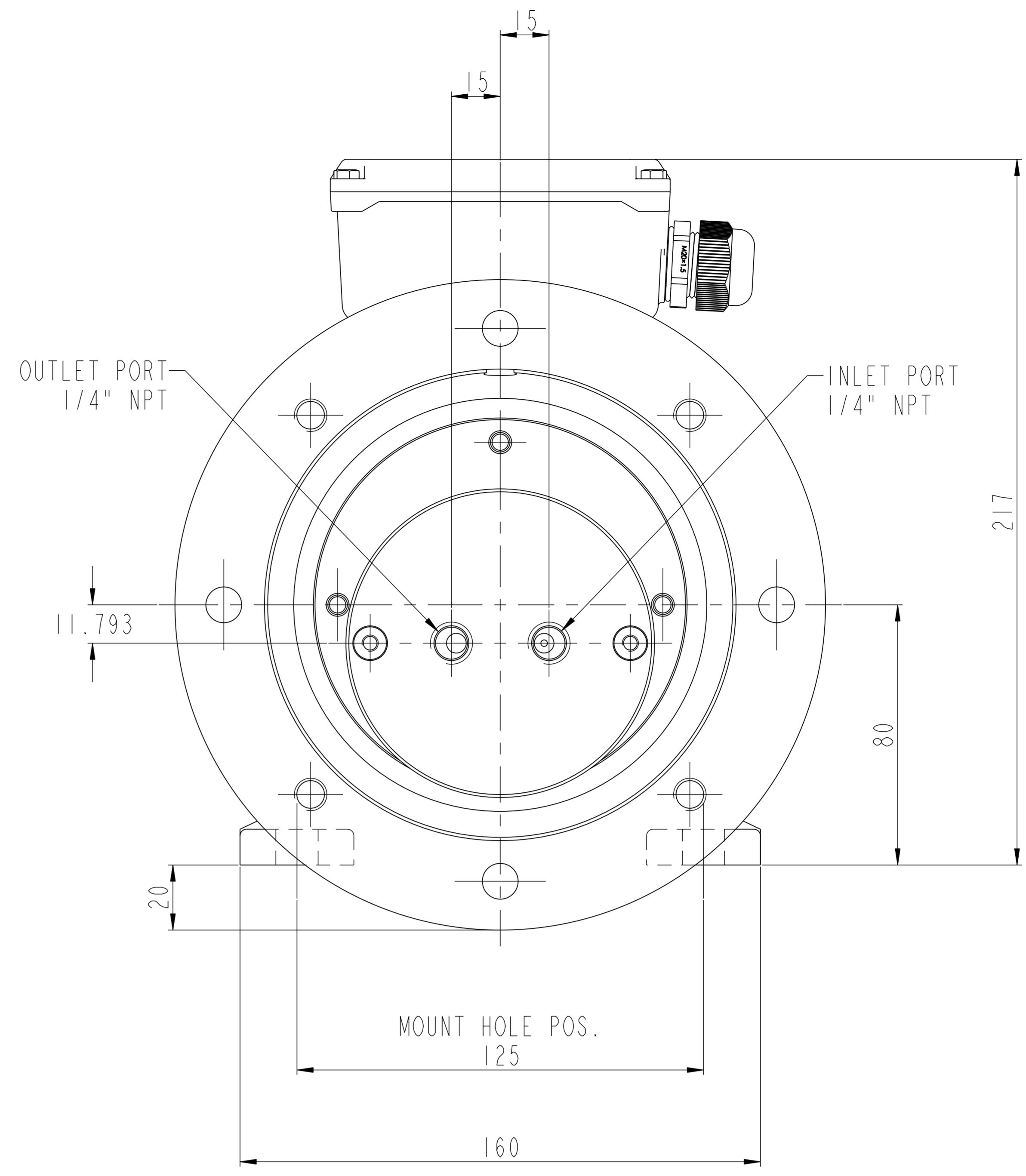
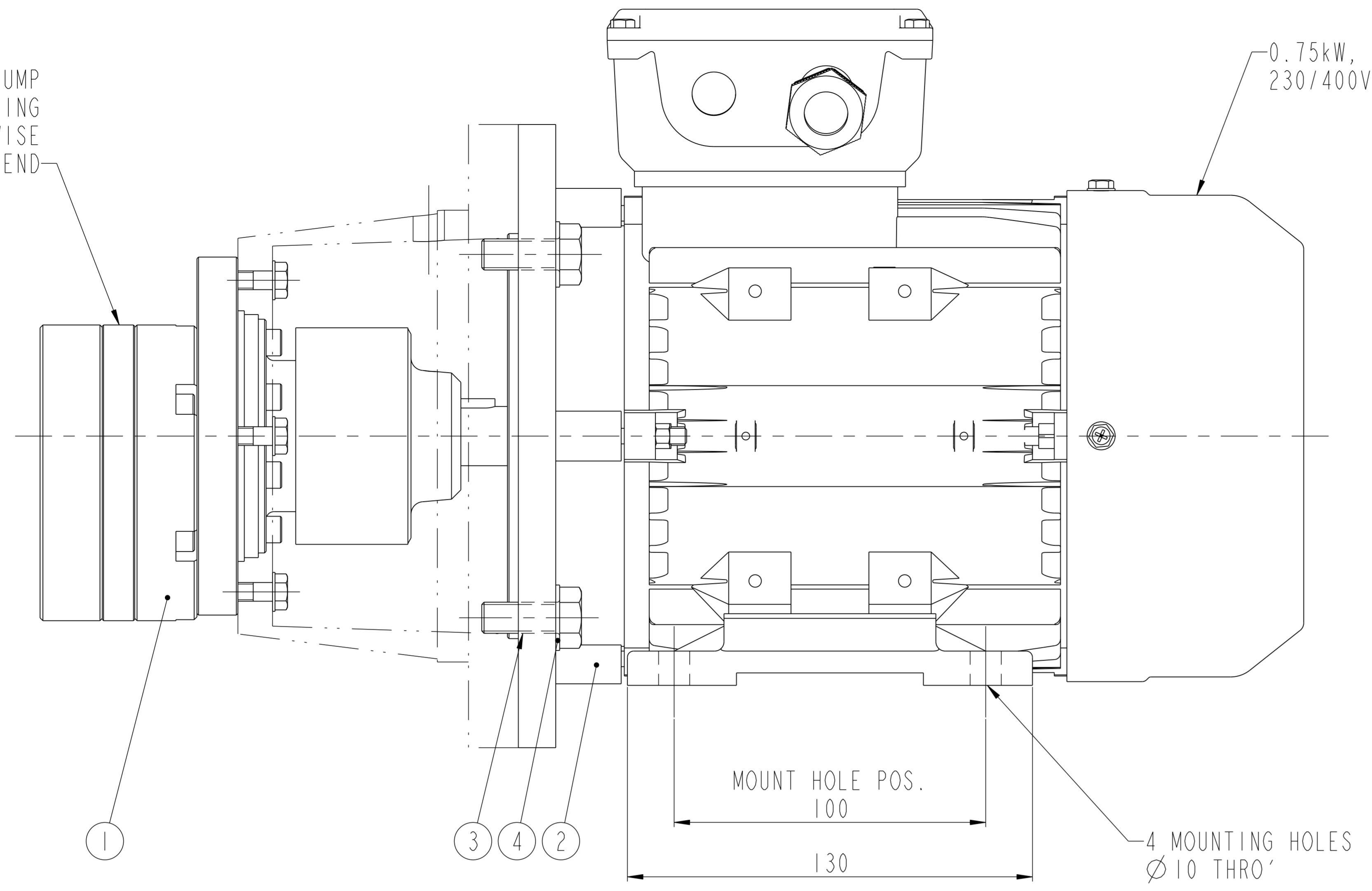


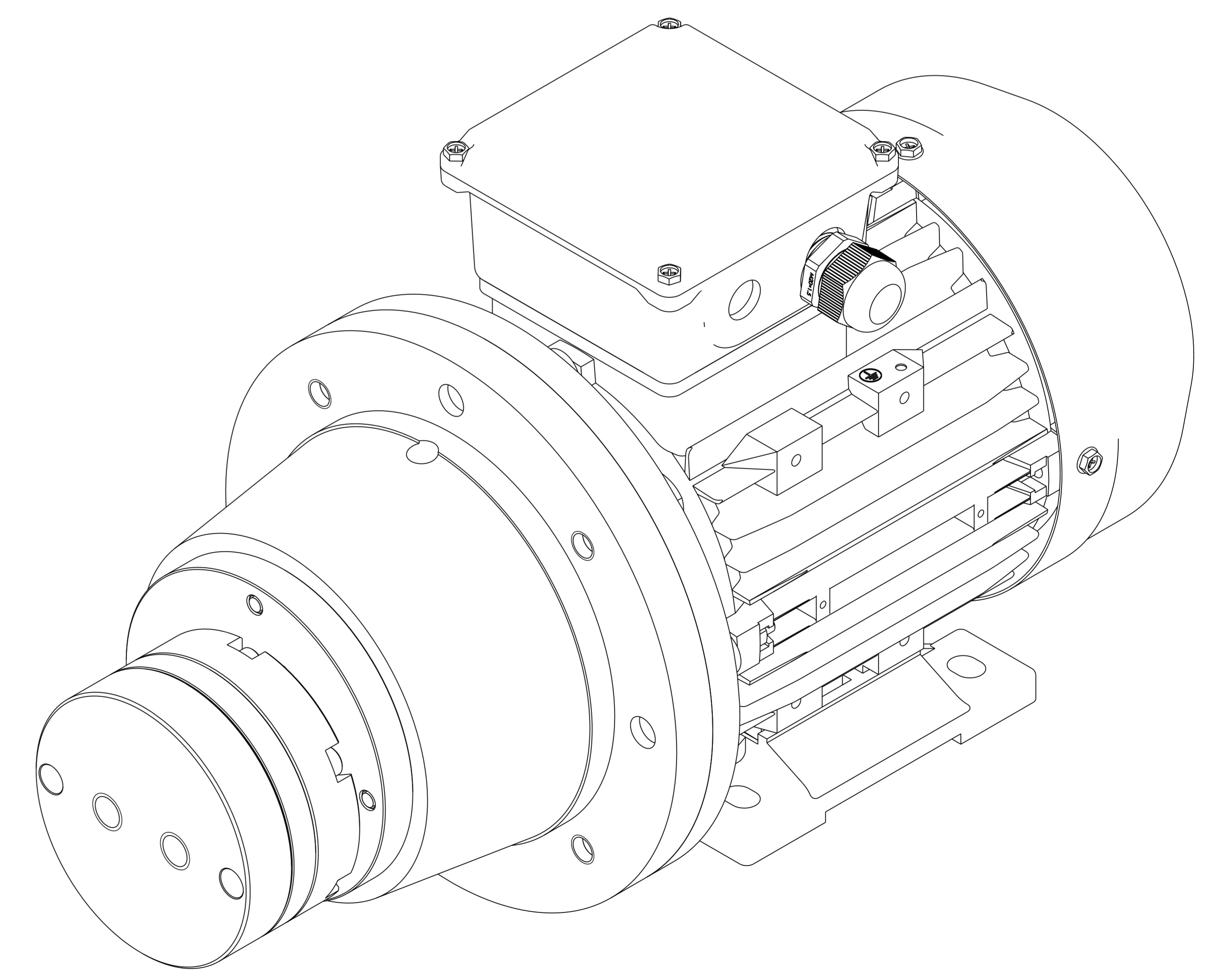
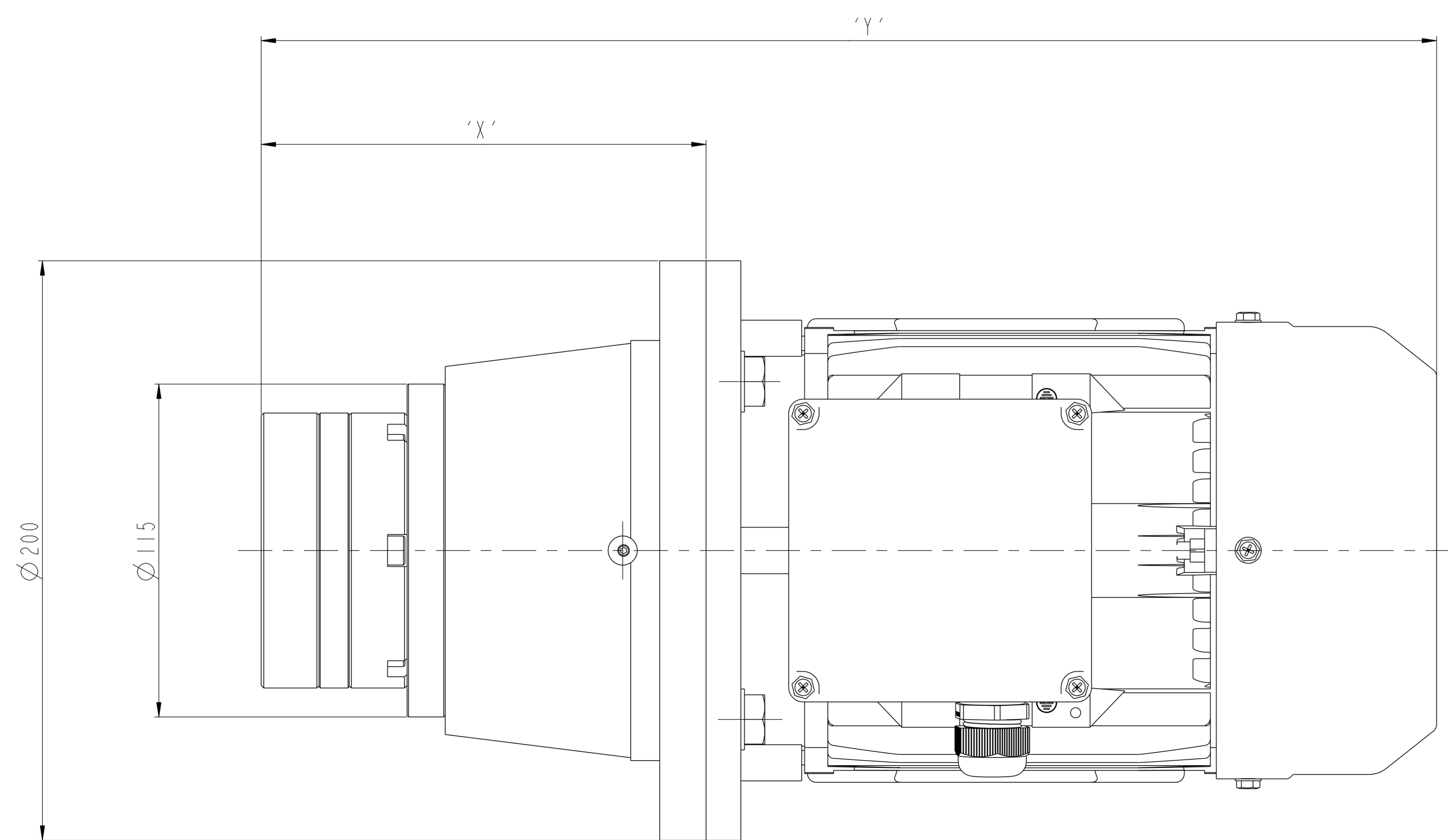
ITEM	DESCRIPTION	QTY
1	PUMP	1
2	MOTOR	1
3	HEX HD SCREW	4
4	WASHER	4

CAD ORIGINAL DO NOT ALTER BY HAND

0.6-3.0cc METERING PUMP
 WITH MAGNETIC COUPLING
 ROTATION: CLOCKWISE
 LOOKING ON SHAFT END



BELLHOUSING SHOWN TRANSPARENT FOR CLARITY



UNIT TYPE	PUMP TYPE	CAP / REV	DIMENSION 'X'	DIMENSION 'Y'
SNI0401	SPLV0.6C	1 x 0.6cc	148.4	401.4
	SPLV1.2C	1 x 1.2cc	153.6	406.6
	SPLV3.0C	1 x 3.0cc	169.2	422.2

GEOMETRIC TOLERANCE SYMBOLS REF. B.S. 308 : PART 3 : 1990				MATERIAL		DIMENSIONS IN MM		TEXT	
STRAIGHTNESS	—	PARALLELISM	//	SYMMETRY	≡	SPEC.	SCALE 1:1	DATE	SLACK & PARR LTD.
FLATNESS	▭	SQUARENESS	⊥	M.M.C.	Ⓢ	TREATMENT	TOLERANCE UNLESS STATED	DR 'N' CN	28-Apr-21
ROUNDNESS	○	ANGULARITY	∠	MACHINE	✓	HARDNESS	TOLERANCE UNLESS STATED	CH'D DS	28-Apr-21
CYLINDRICITY	⊘	RUN OUT	↗	M/C OPTIONAL	✓	FINISH	TOLERANCE UNLESS STATED	PROJ./TYPE/SERIAL NO.	SPLV MEDIUM
PROF. OF A LINE	⌒	POSITION	⊕	DO NOT M/C	✓	CLASS	TOLERANCE UNLESS STATED	TITLE	ARR & INST OF PUMP UNIT
CONCENTRICITY	◎	CONCENTRICITY	◎	TAPER	↗	PATT.	TOLERANCE UNLESS STATED	SHEET	1 OF 1