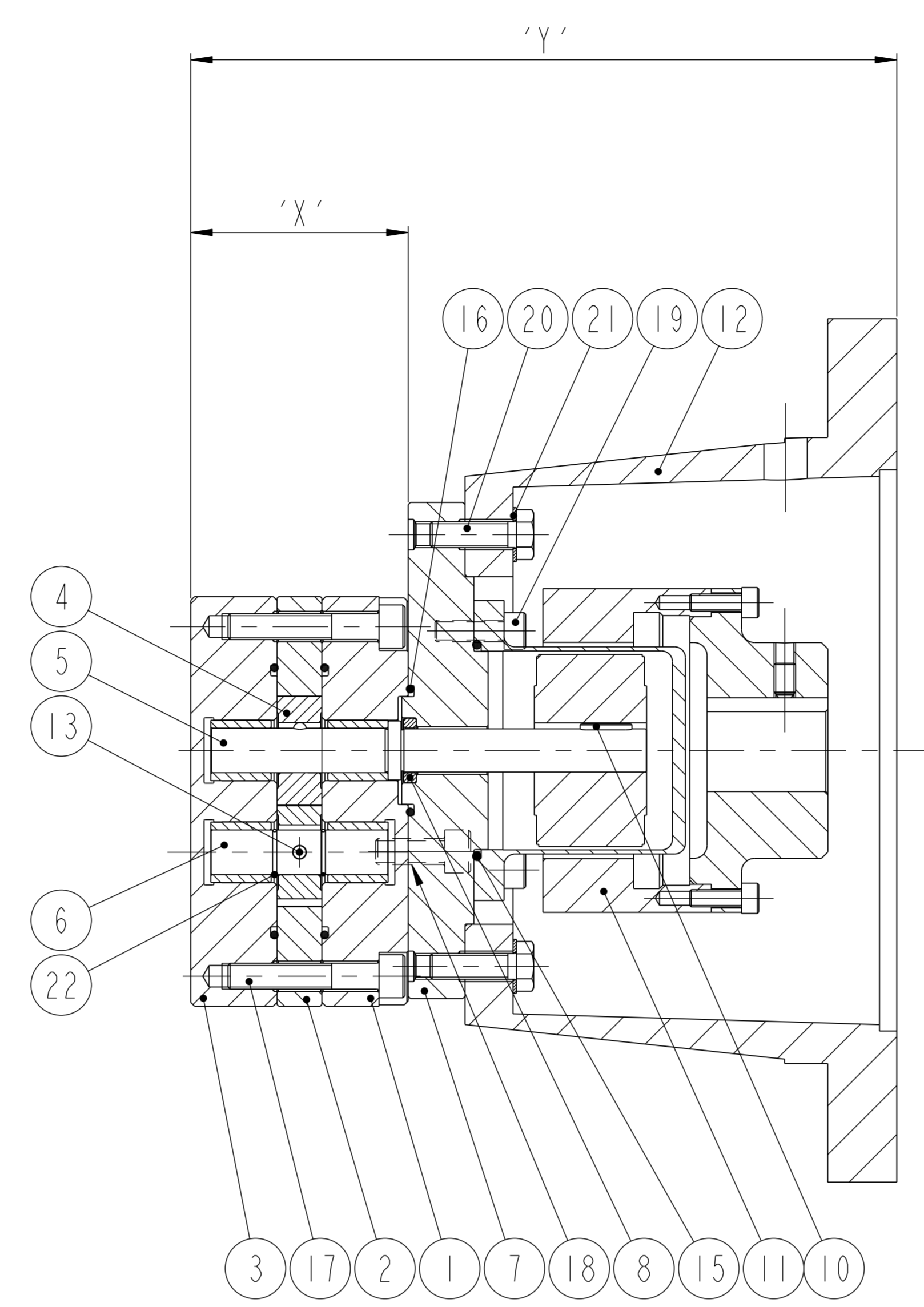
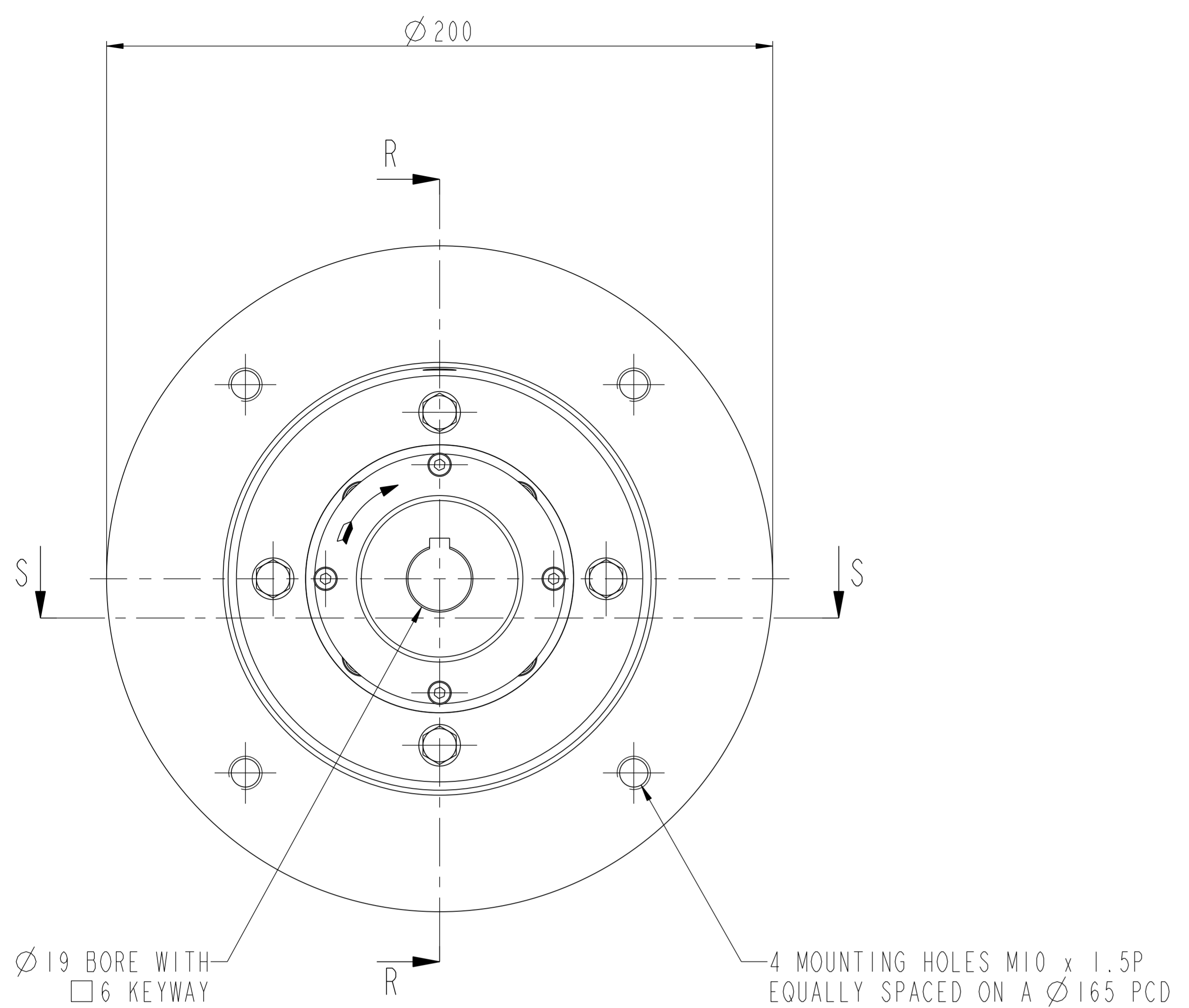
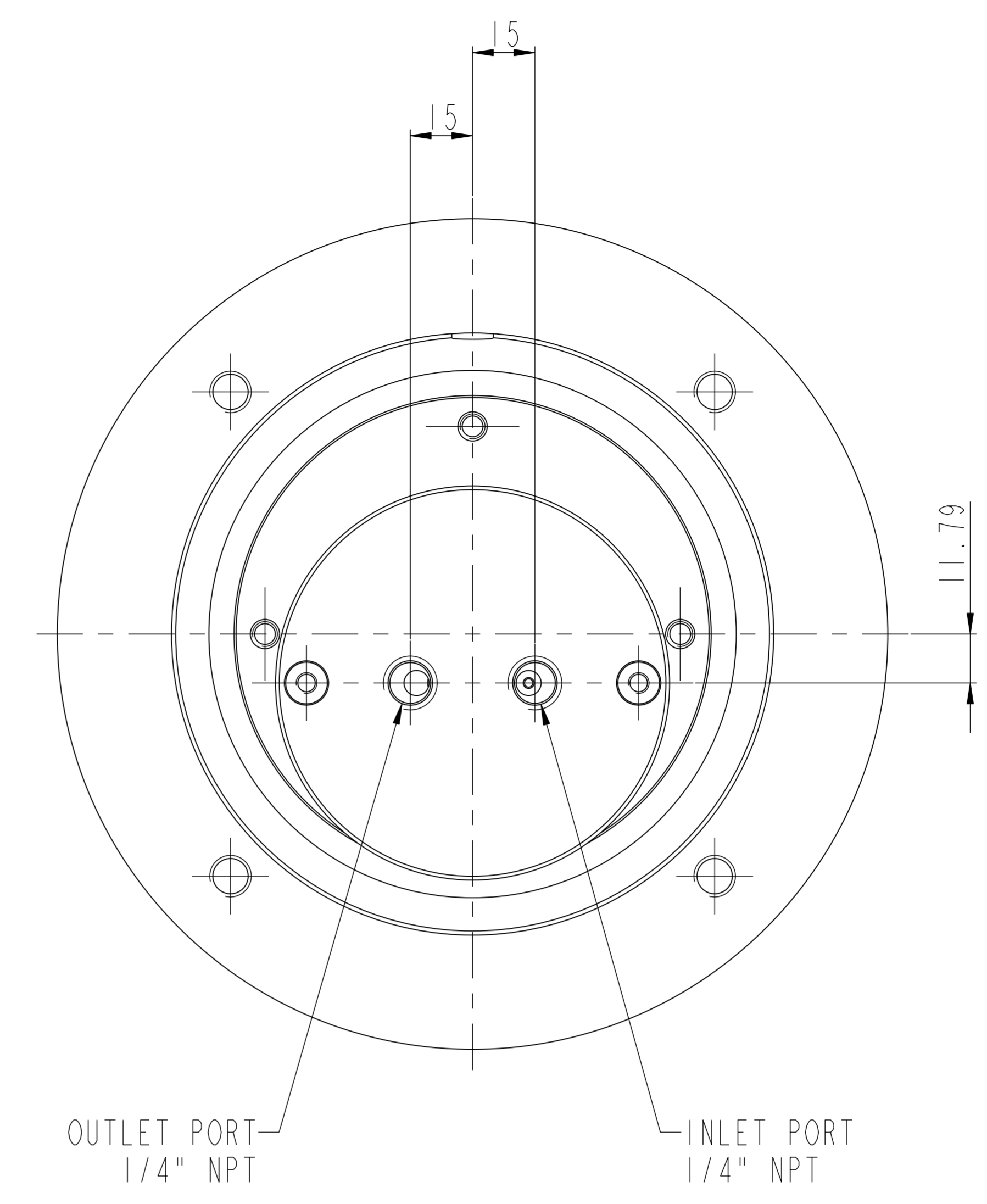


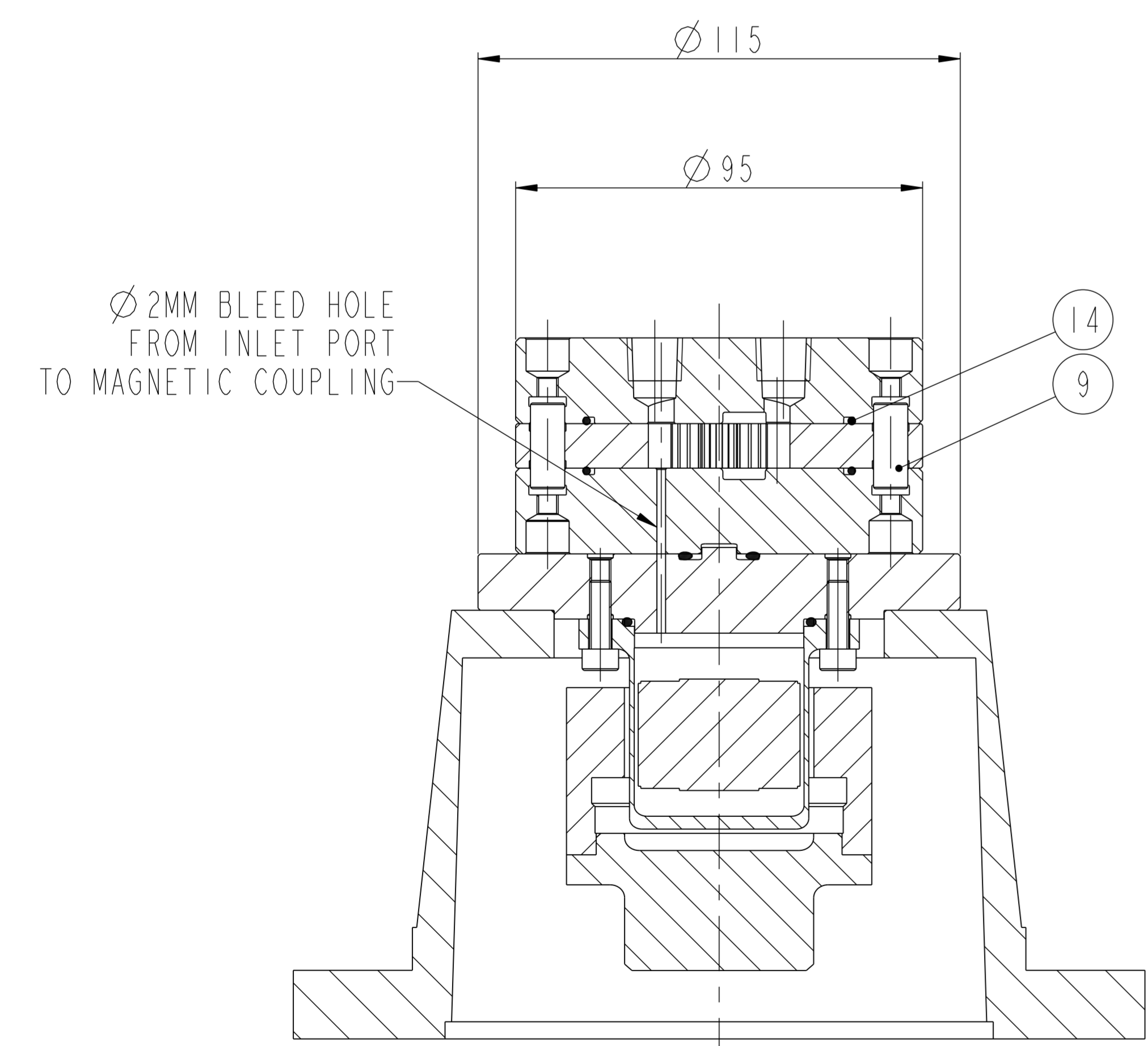
CAD ORIGINAL DO NOT ALTER BY HAND



SECTION R-R



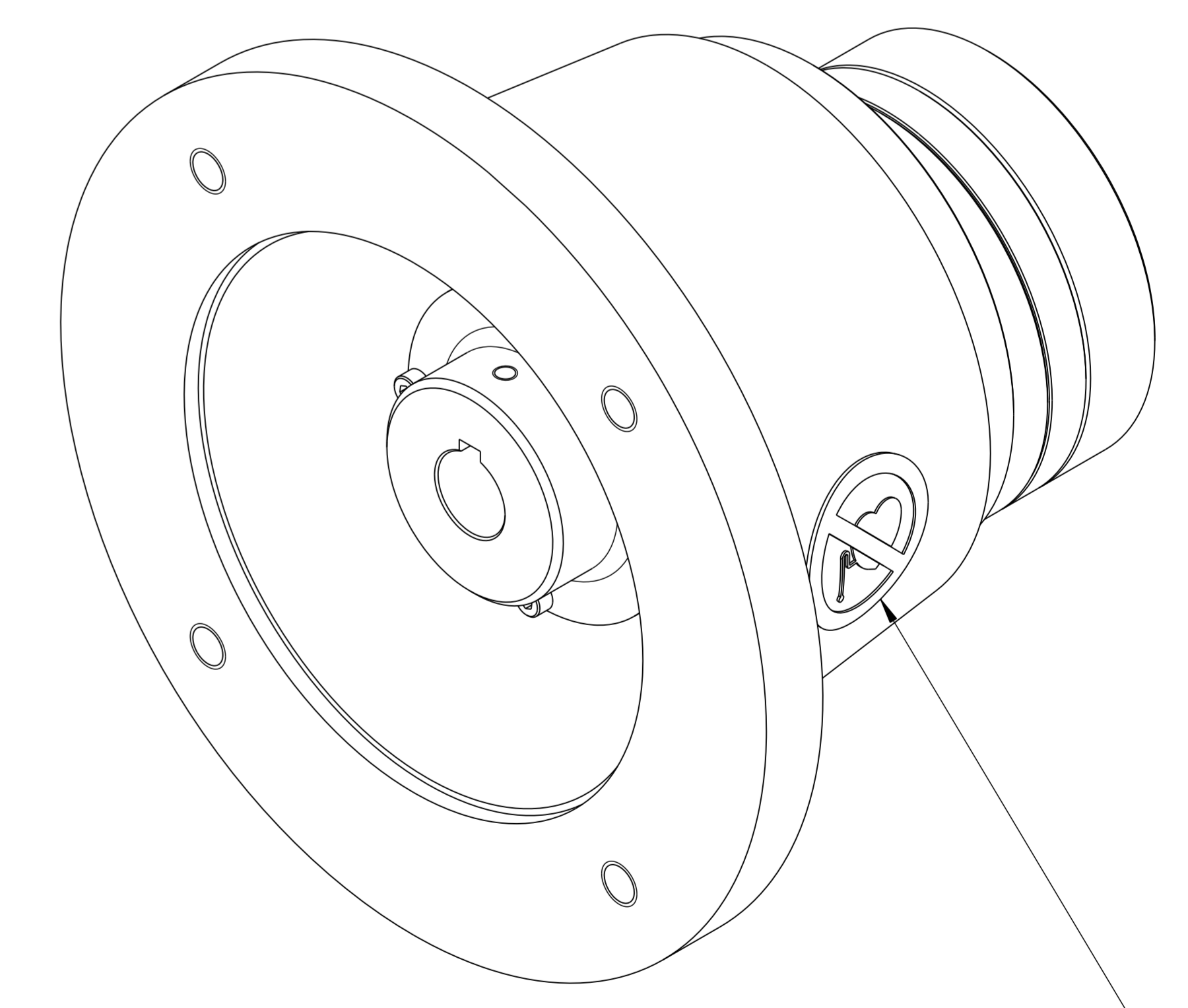
ITEM	DESCRIPTION	QTY
1	FRONT PLATE ASSEMBLY	1
2	GEAR PLATE	1
3	BACK PLATE ASSEMBLY	1
4	DRIVING GEAR	2
5	DRIVING SPINDLE	1
6	IDLER SPINDLE	1
7	ADAPTOR PLATE	1
8	THRUST WASHER	1
9	DOWEL	2
10	KEY (OUTER)	1
11	MAGNETIC COUPLING	1
12	BELL HOUSING	1
13	BALL KEY	2
14	'O' RING	2
15	'O' RING	1
16	'O' RING	1
17	CAPSCREW	6
18	CAPSCREW	4
19	CAPSCREW	8
20	HEX HD SCREW	4
21	WASHER	4
22	CIRCLIP	2
23	WARNING LABEL	1



SECTION S-S

PUMP ROTATION:- CLOCKWISE
CAPACITIES ARE PER REV OF THE DRIVING SPINDLE

TYPE	CAP / REV	DIMENSION 'X'	DIMENSION 'Y'
SPLV0.6C	1 x 0.6cc	45.2	158.4
SPLV0.6CE	1 x 0.6cc	45.2	158.4
SPLV1.2C	1 x 1.2cc	50.4	163.6
SPLV1.2CE	1 x 1.2cc	50.4	163.6
SPLV3.0C	1 x 3.0cc	66.2	179.4
SPLV3.0CE	1 x 3.0cc	66.2	179.4



PLACE ITEM 23, PACEMAKER WARNING SYMBOL LABEL,
ON THE OUTER DIA OF THE BELLHOUSING

REV. ZONE		ALTERATION	SIG. & DATE	CAT.	PROF. OF A SURF.	GEOMETRIC TOLERANCE SYMBOLS REF. B.S. 308 : PART 3 : 1990	MATERIAL	DIMENSIONS IN MM & INCHES	SCALE 1:1	DATE	SLACK & PARR LTD. KEGWORTH-DERBY-ENGLAND
2		DESIGN RE-DEFINED	CN 04.03.24	D		STRAIGHTNESS — PARALLELISM // SYMMETRY ≡ SPEC.		SURF. TEXT IN ROUGHNESS NOS	DR 'N' CN	29-Apr-21	
1	C8	ITEM 22 - GRUBSCREW REMOVED	CN 27.07.21	A		FLATNESS ▭ SQUARENESS ⊥ M.M.C. ⊕ TREATMENT		TOLERANCE UNLESS STATED	CH'D. DS	05-May-21	PROJ./TYPE/SERIAL NO.
						ROUNDNESS ○ ANGULARITY < MACHINE ✓ HARDNESS		DIMENSIONS ±			TITLE
						CONCENTRICITY ⊙ TAPER ≡		ANGULAR			ARR & INST OF PUMP
								THREAD TOLERANCE CLASS 6H/6g			SHEET ORG. NO.
								SIM. TO A115801			1 OF 1 A116068
								© SLACK & PARR LTD. 2021 THE DESIGN AND INFORMATION CONTAINED IN THIS DRAWING IS STRICTLY CONFIDENTIAL AND IS THE EXCLUSIVE PROPERTY OF SLACK & PARR LIMITED AND MUST NOT BE USED, COPIED OR REPRODUCED IN PART OR WHOLE WITHOUT WRITTEN PERMISSION FROM SLACK & PARR LIMITED			REVISION 2