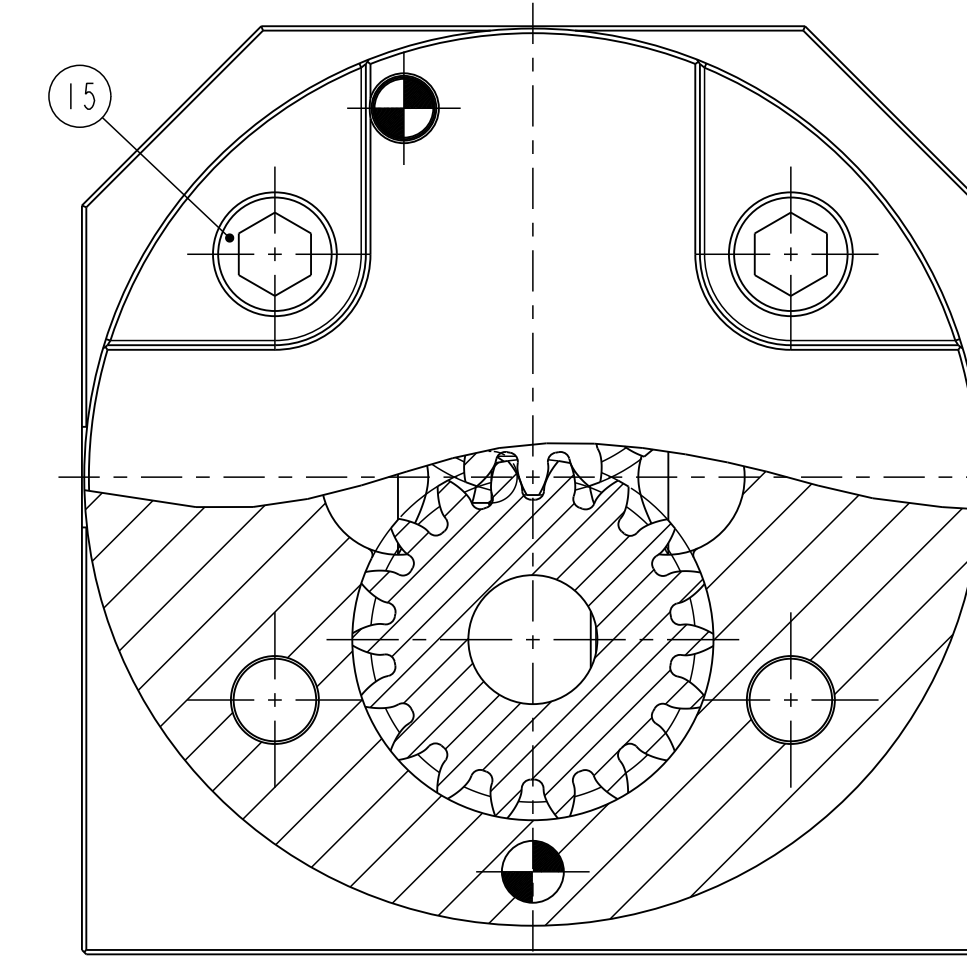
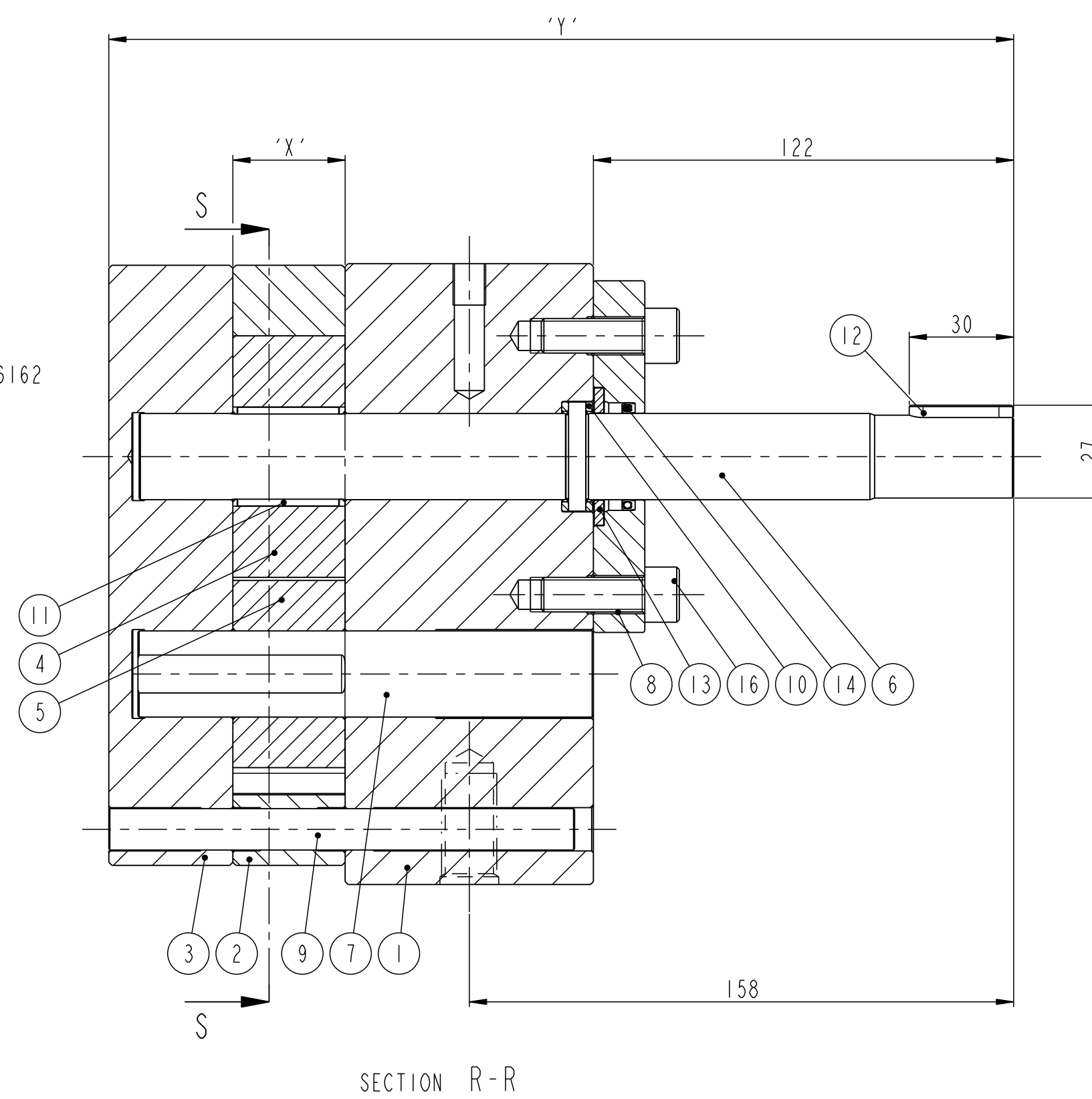
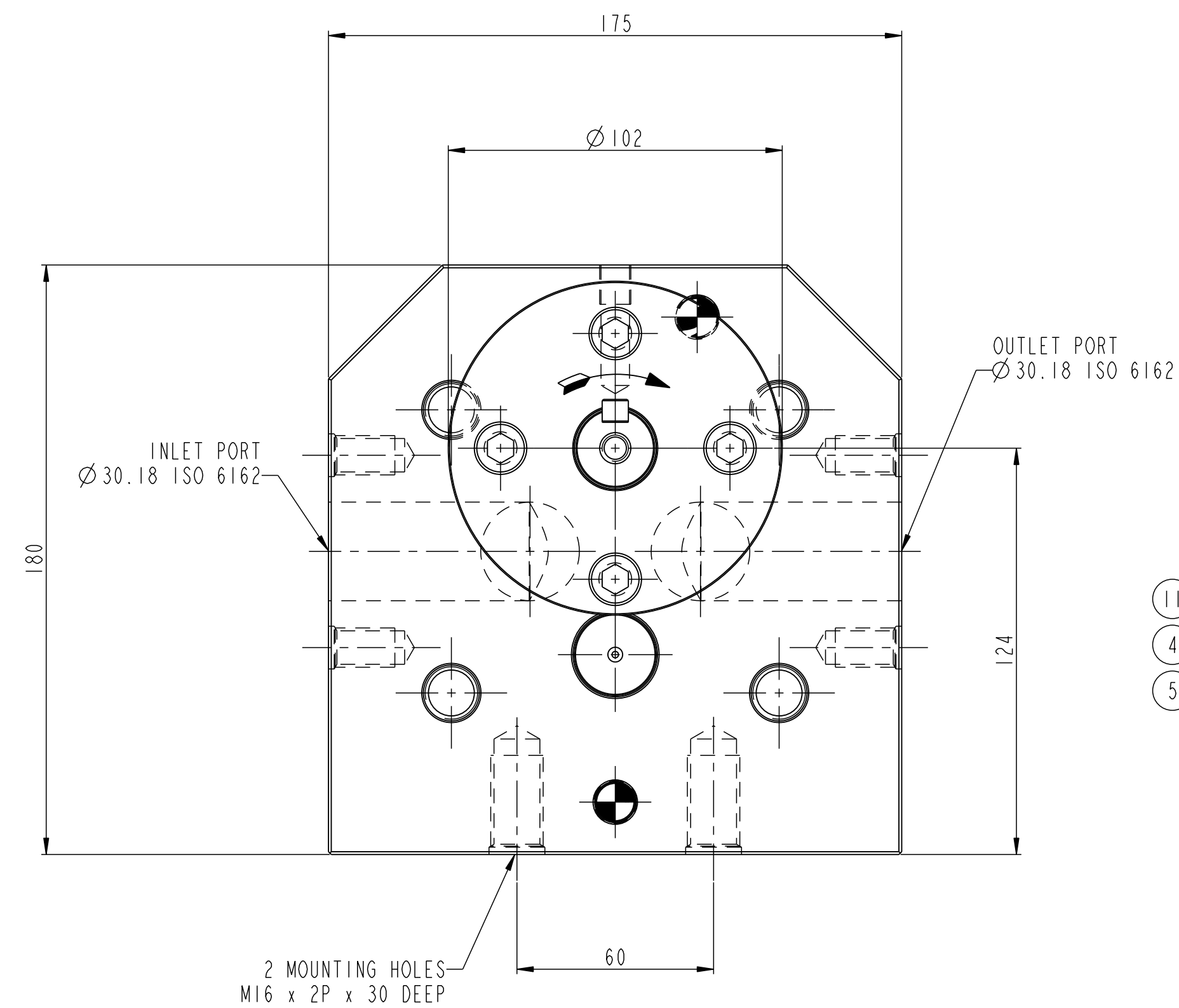


PROJ. DOS/005 REFERS

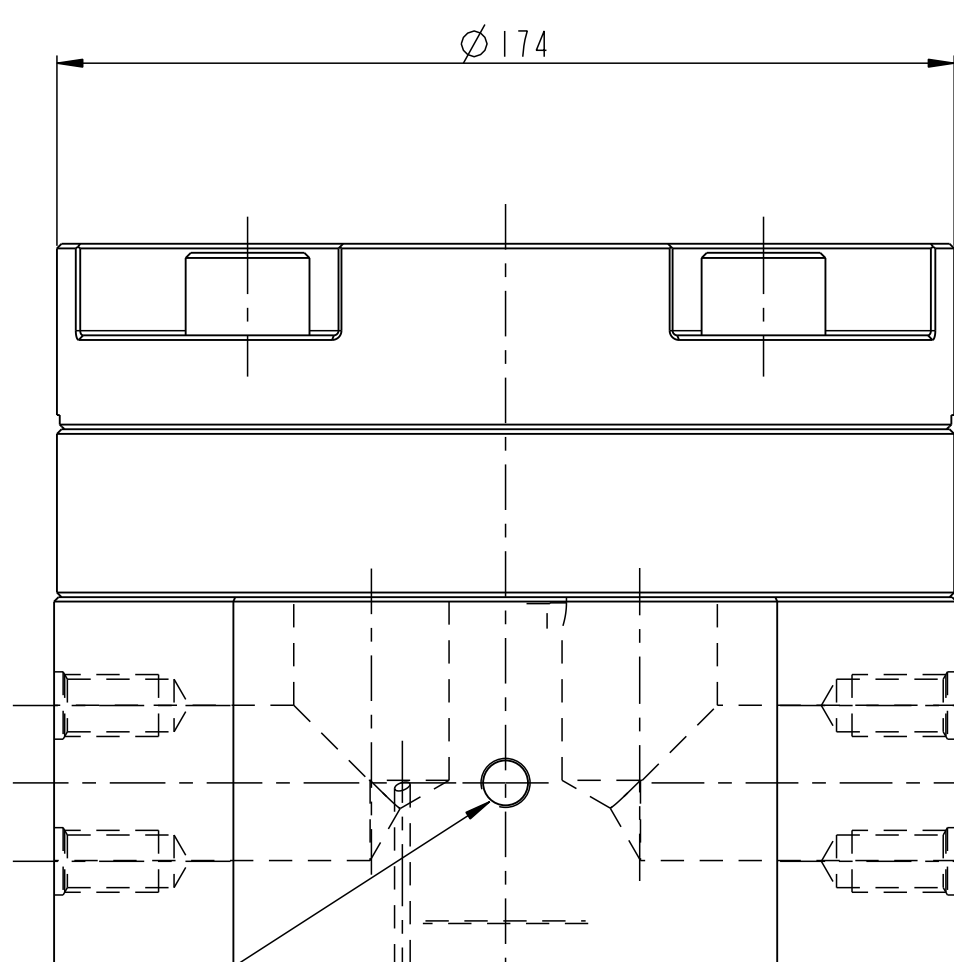
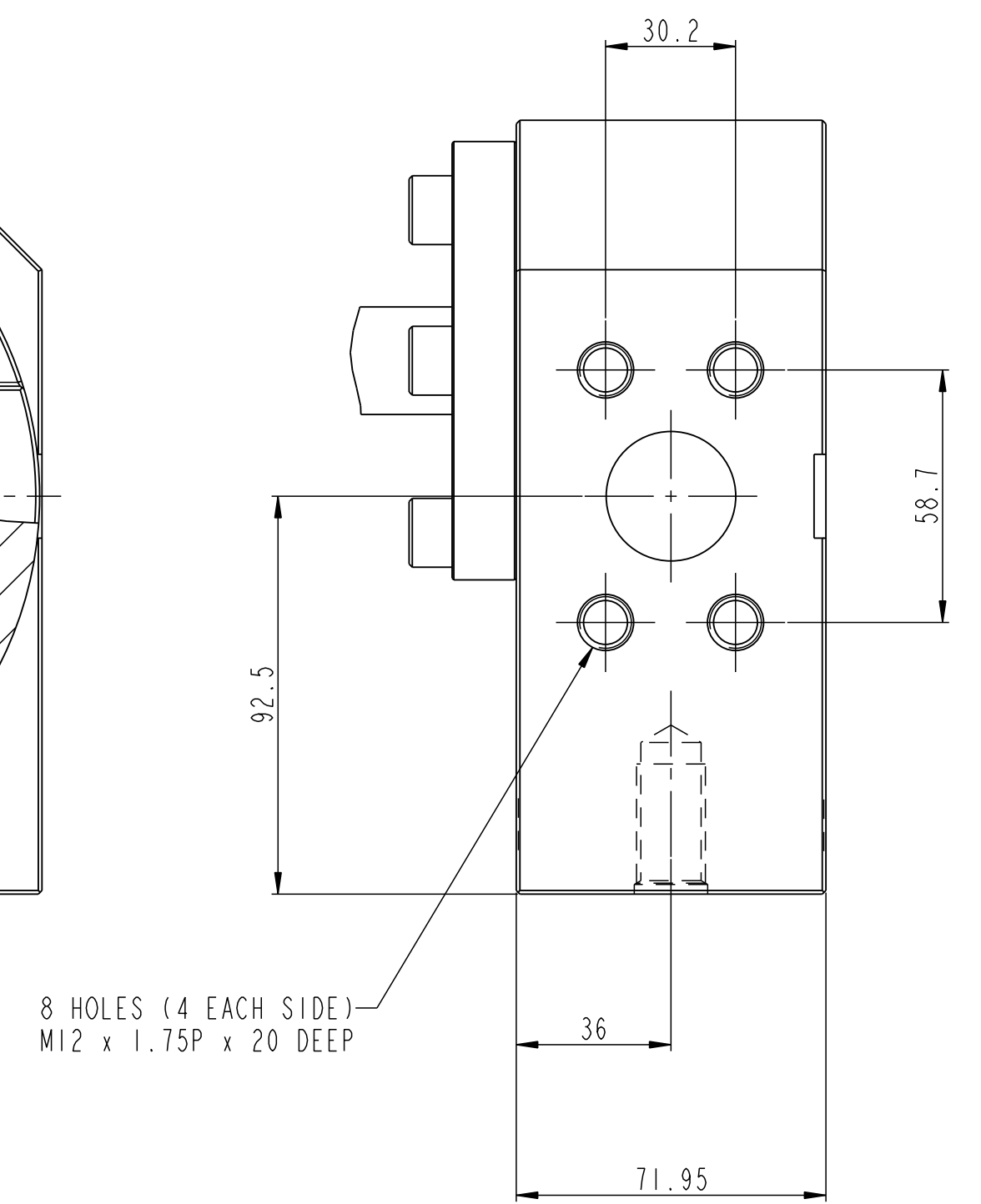
DO NOT SCALE

ITEM	DESCRIPTION	QTY
1	FRONT PLATE	1
2	GEAR PLATE	1
3	BACK PLATE	1
4	DRIVING GEAR	1
5	IDLER GEAR	1
6	DRIVING SPINDLE	1
7	IDLER SPINDLE	1
8	SEALING HUB	1
9	DOWEL	2
10	THRUST WASHER	2
11	KEY	2
12	KEY (OUTER)	1
13	WASHER	1
14	OILSEAL	1
15	CAPSCREW	4
16	CAPSCREW	4

CAD ORIGINAL DO NOT ALTER BY HAND



PARTIAL SECTION S-S TO SHOW IDLER SPINDLE FLAT



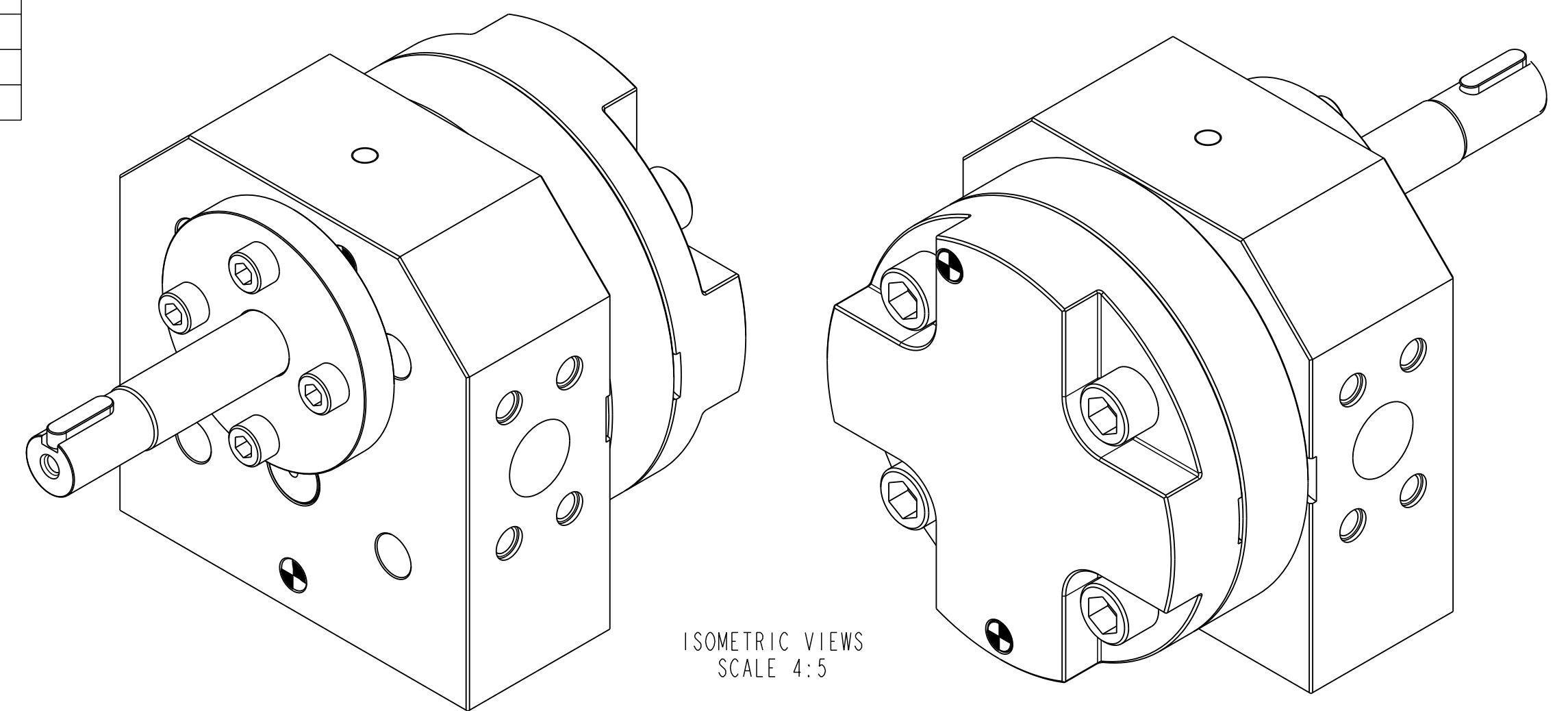
1/8 NPT THERMOCOUPLE WELL 36.5 DEEP

40

8 x 7 SQ KEY

Ø 24

TYPE	CAP / REV	DIMENSION 'X'	DIMENSION 'Y'	ROTATION	MAIN MATERIALS
SPA45R	45cc	32.6	262.6	CLOCKWISE	440B
SPA45R2					M2
SPA45R4					M390
SPA90R	90cc	65.1	295.1	CLOCKWISE	440B
SPA90R2					M2
SPA90R4					M390
SPA120R	120cc	85.2	315.3	CLOCKWISE	440B
SPA120R2					M2
SPA120R4					M390



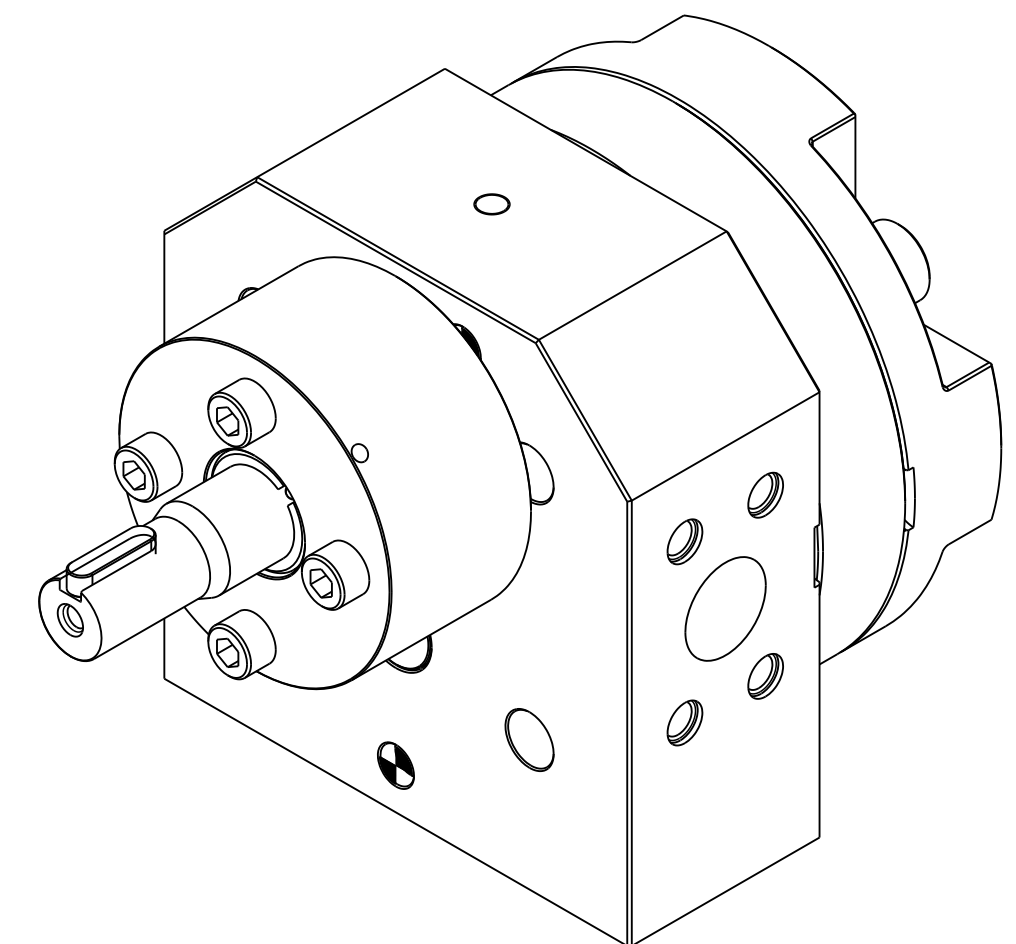
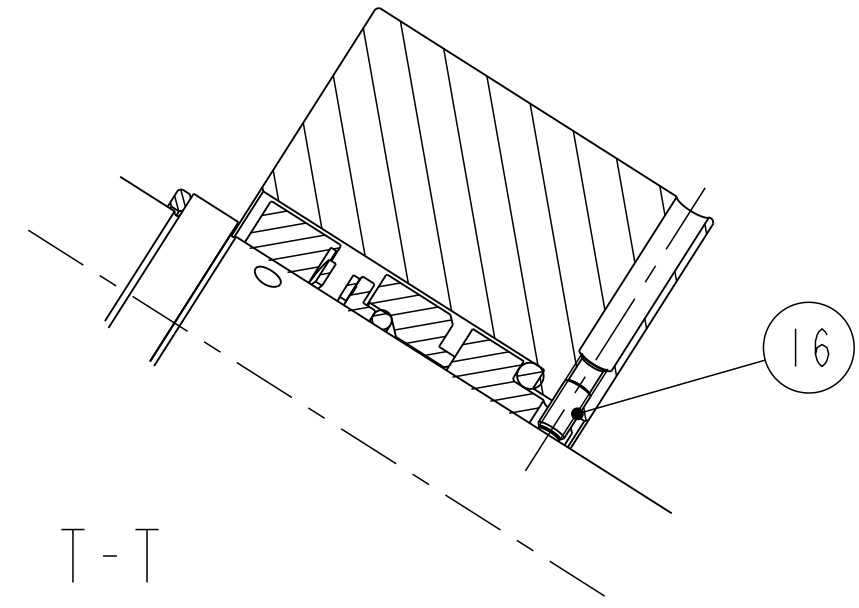
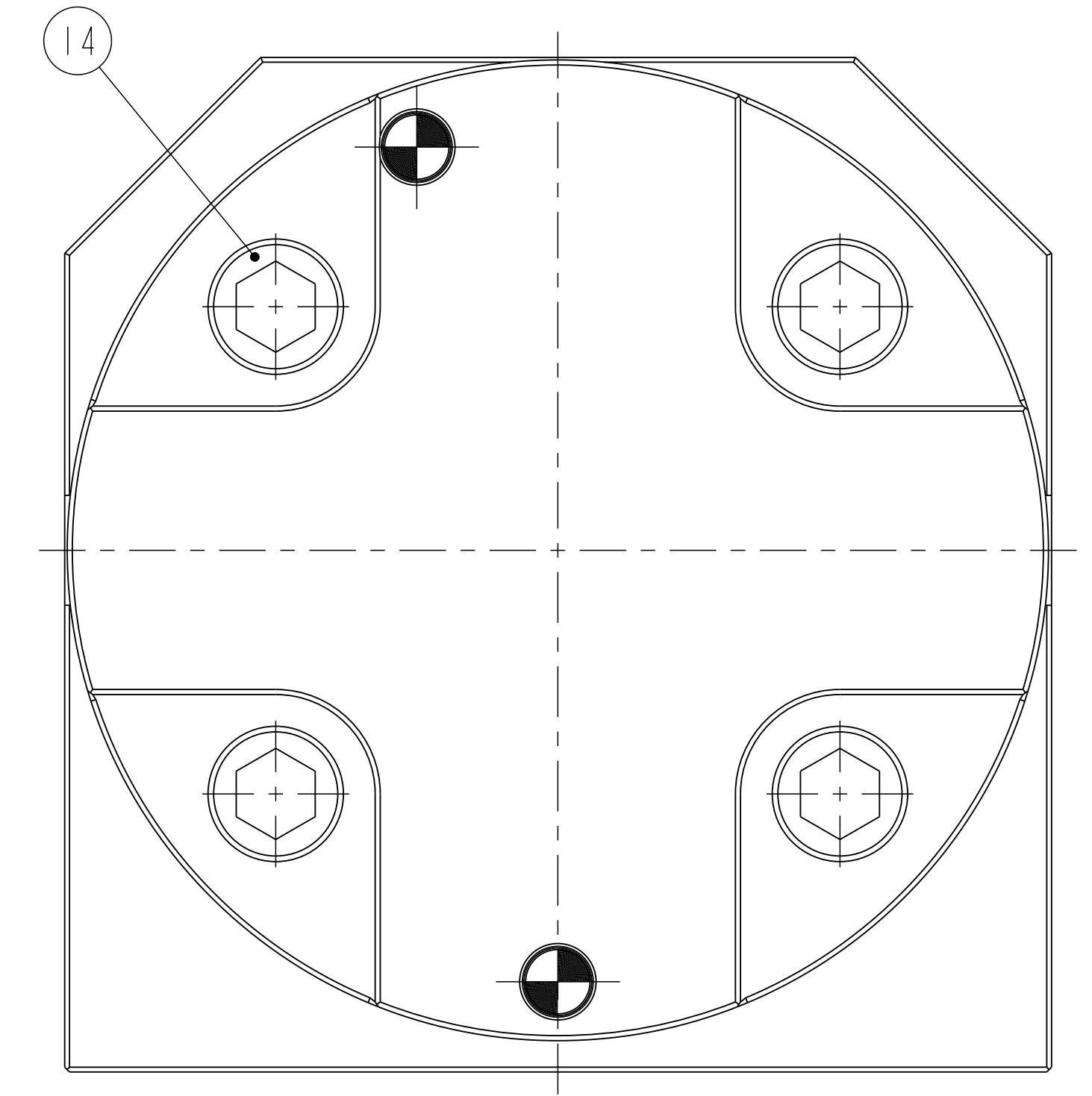
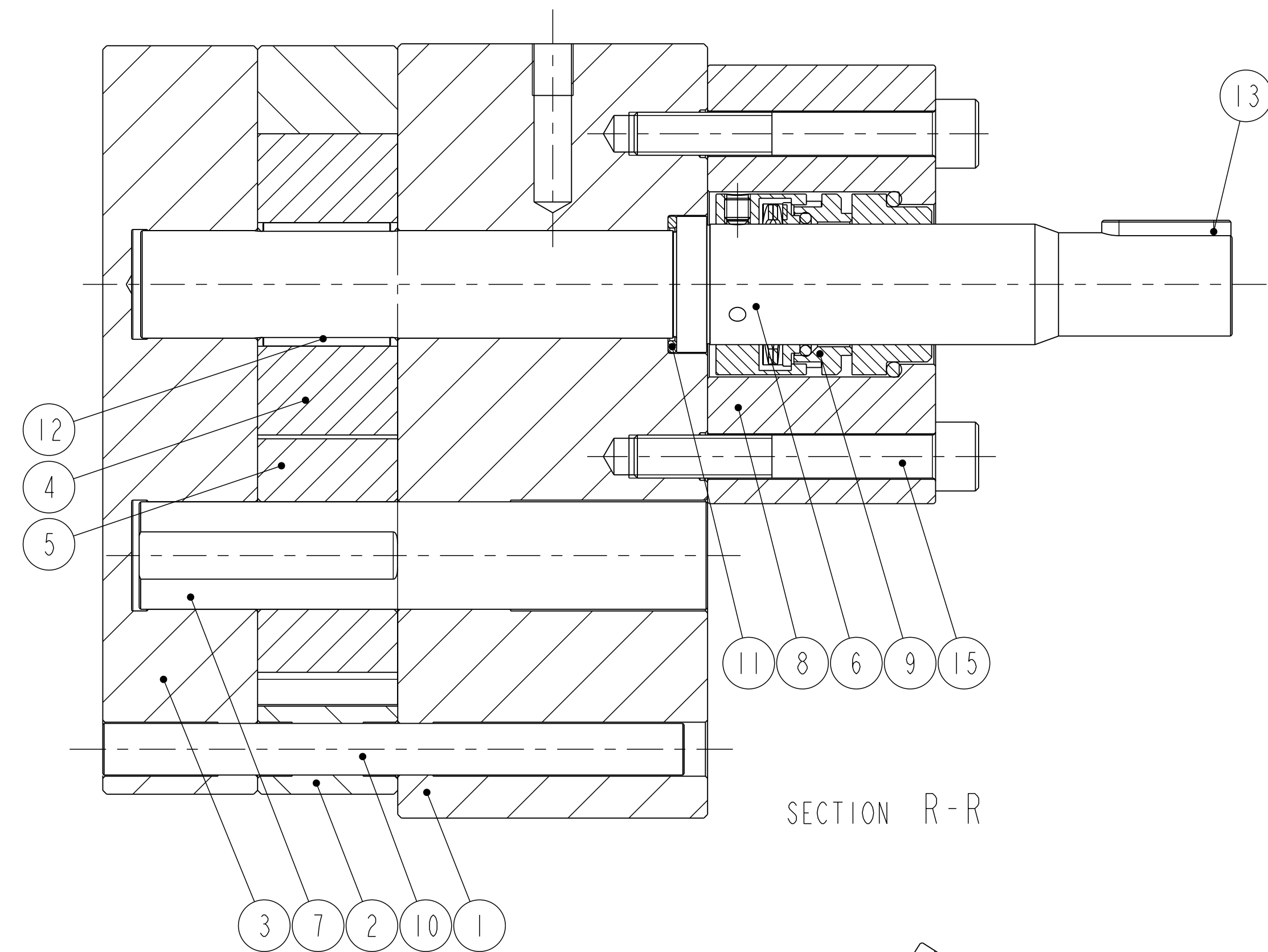
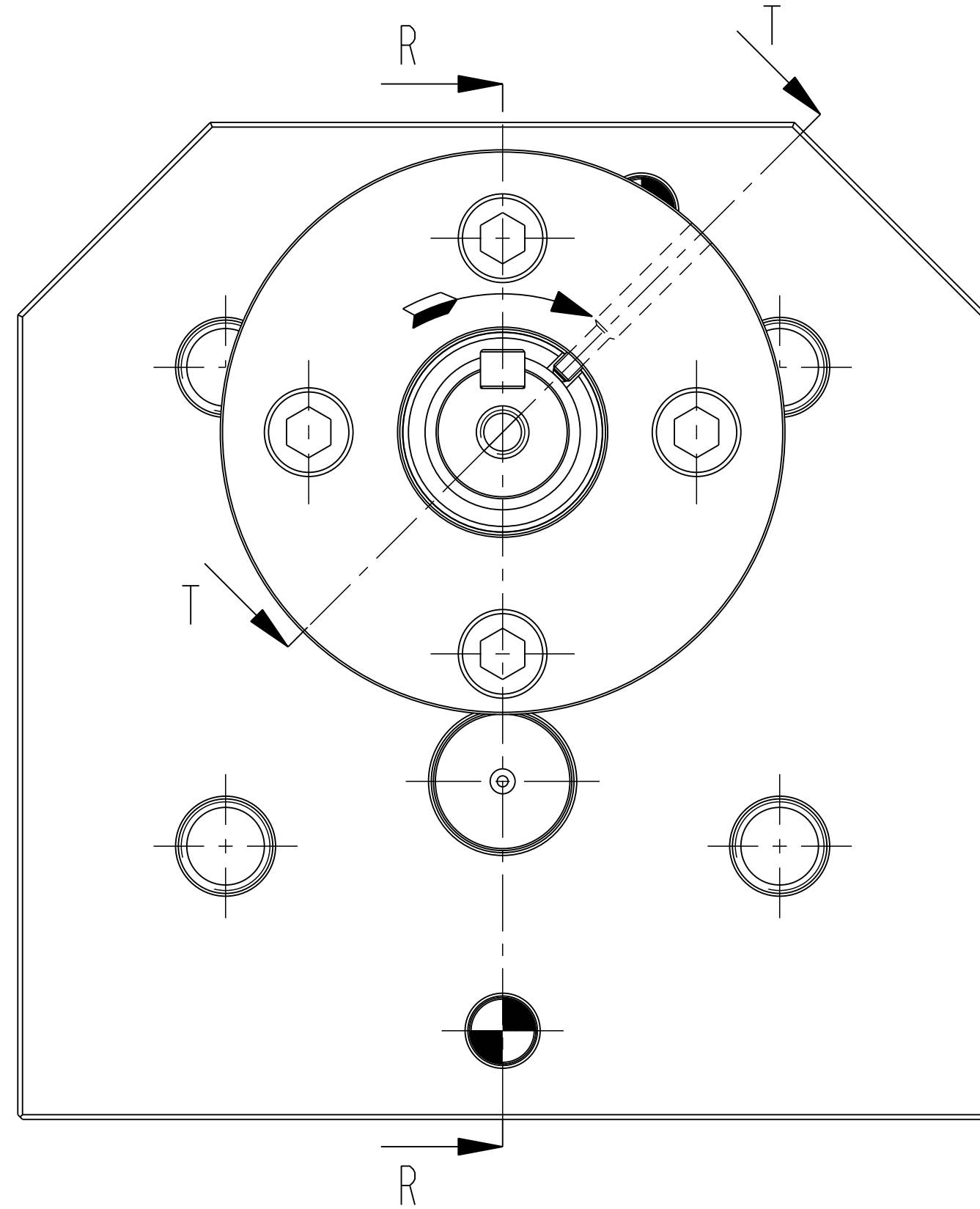
ISOMETRIC VIEWS SCALE 4:5

IDENTITY ZONE		TEXT	
DIMENSIONS IN MM ONLY		SCALE 1:1	DATE
SURF. TEXT IN ROUGHNESS NOS.		DR: N. BS	15-01-2020
TOLERANCE UNLESS STATED		CH'D. CM	01-FEB-22
DIMENSIONAL ±		PROJ./TYPE/SERIAL NO. SPA-R LARGE FRAME	
ANGULAR ±		TITLE	
THREAD TOLERANCE CLASS 6H/6g		ARR & INST OF SPA-R PUMP	
S/W TO B194925 / B119197		SHEET 1 OF 3	
© SLACK & PARR LTD. 2020 THE DESIGN AND INFORMATION CONTAINED IN THIS DRAWING IS STRICTLY CONFIDENTIAL AND IS THE EXCLUSIVE PROPERTY OF SLACK & PARR LIMITED AND MUST NOT BE USED, COPIED OR REPRODUCED IN PART OR WHOLE WITHOUT WRITTEN PERMISSION FROM SLACK & PARR LIMITED.		DRG. NO. A115889	
REV.	ZONE	ALTERATION	SIG. & DATE



ALL INSTALLATION DIMENSIONS AS SHEET 1

CAD ORIGINAL DO NOT ALTER BY HAND



ISOMETRIC VIEW  
SCALE 1:2

TYPE	CAP / REV	DIMENSION 'X'	DIMENSION 'Y'	ROTATION	MAIN MATERIALS	SEAL MATERIALS
SPA45MR	45cc	32.6	262.6	CLOCKWISE	440B	CARBON + VITON
SPA45MKR					440B	CARBON + KALREZ
SPA45MR4					M390	CARBON + VITON
SPA90MR					440B	CARBON + VITON
SPA90MKR	90cc	65.1	295.1	CLOCKWISE	440B	CARBON + KALREZ
SPA90MR4					M390	CARBON + VITON
SPA120MR					440B	CARBON + VITON
SPA120MKR	120cc	85.2	315.3	CLOCKWISE	440B	CARBON + KALREZ
SPA120MR4					M390	CARBON + VITON

ITEM	DESCRIPTION	QTY
1	FRONT PLATE	1
2	GEAR PLATE	1
3	BACK PLATE	1
4	DRIVING GEAR	1
5	IDLER GEAR	1
6	DRIVING SPINDLE	1
7	IDLER SPINDLE	1
8	SEALING HUB	1
9	MECH SEAL (N-W07DMU)	1
10	DOWEL	2
11	THRUST WASHER	1
12	KEY	2
13	KEY (OUTER)	1
14	CAPSCREW	4
15	CAPSCREW	4
16	SETSCREW	1

REV.	ZONE	ALTERATION	SIG. & DATE	CAT.	PROF. OF A SURF.	GEOMETRIC TOLERANCE SYMBOLS REF. B.S. 308 : PART 3 : 1990	MATERIAL	IDENTITY ZONE	TEXT	SCALE	DATE	SLACK & PARR LTD. KEGWORTH-DERBY-ENGLAND	
						STRAIGHTNESS — PARALLELISM // SYMMETRY ≡	SPEC.	√	DIMENSIONS IN MM ONLY	SCALE 1:1	DATE		
						FLATNESS ▭ SQUARENESS ⊥ M.M.C. ⊕	TREATMENT	CH'D. BS	TOLERANCE UNLESS STATED	DR 'N. BS	17-Mar-23		
						ROUNDNESS ○ ANGULARITY ≤ MACHINE ✓	HARDNESS	CH'D. BS	DIMENSIONAL ±	CH'D. BS	18-Apr-23	PROJ./TYPE/SERIAL NO. SPA-MR LARGE FRAME	
						CYLINDRICITY ⌀ RUN OUT ↗ M/C OPTIONAL ✓	FINISH	CH'D. BS	ANGULAR ±	TITLE		ARR & INST OF SPA-MR PUMP	
						PROF. OF A LINE ⌒ POSITION ⊕ DO NOT M/C ✓	CLASS	CH'D. BS	THREAD TOLERANCE CLASS 6H/6g	SIM. TO		© SLACK & PARR LTD. 2023 THE DESIGN AND INFORMATION CONTAINED IN THIS DRAWING IS STRICTLY CONFIDENTIAL AND IS THE EXCLUSIVE PROPERTY OF SLACK & PARR LIMITED AND MUST NOT BE USED, COPIED OR REPRODUCED IN PART OR WHOLE WITHOUT WRITTEN PERMISSION FROM SLACK & PARR LIMITED	
						PROF. OF A SURF. ⌒ CONCENTRICITY ⊙ TAPER ▽	PATT.	CH'D. BS	SIM. TO	SHEET 3 OF 3		DRG. NO. B115889	REVISION