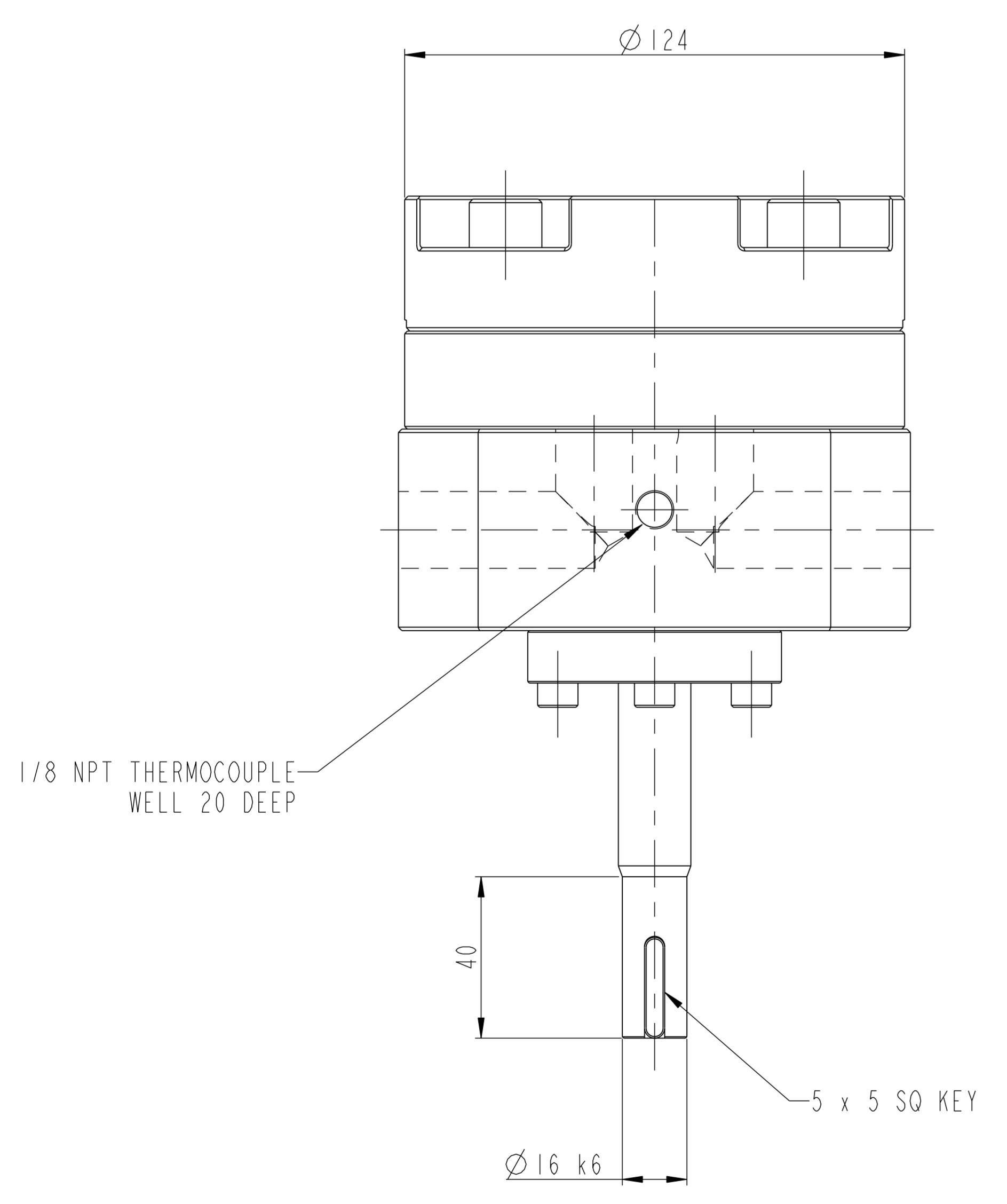
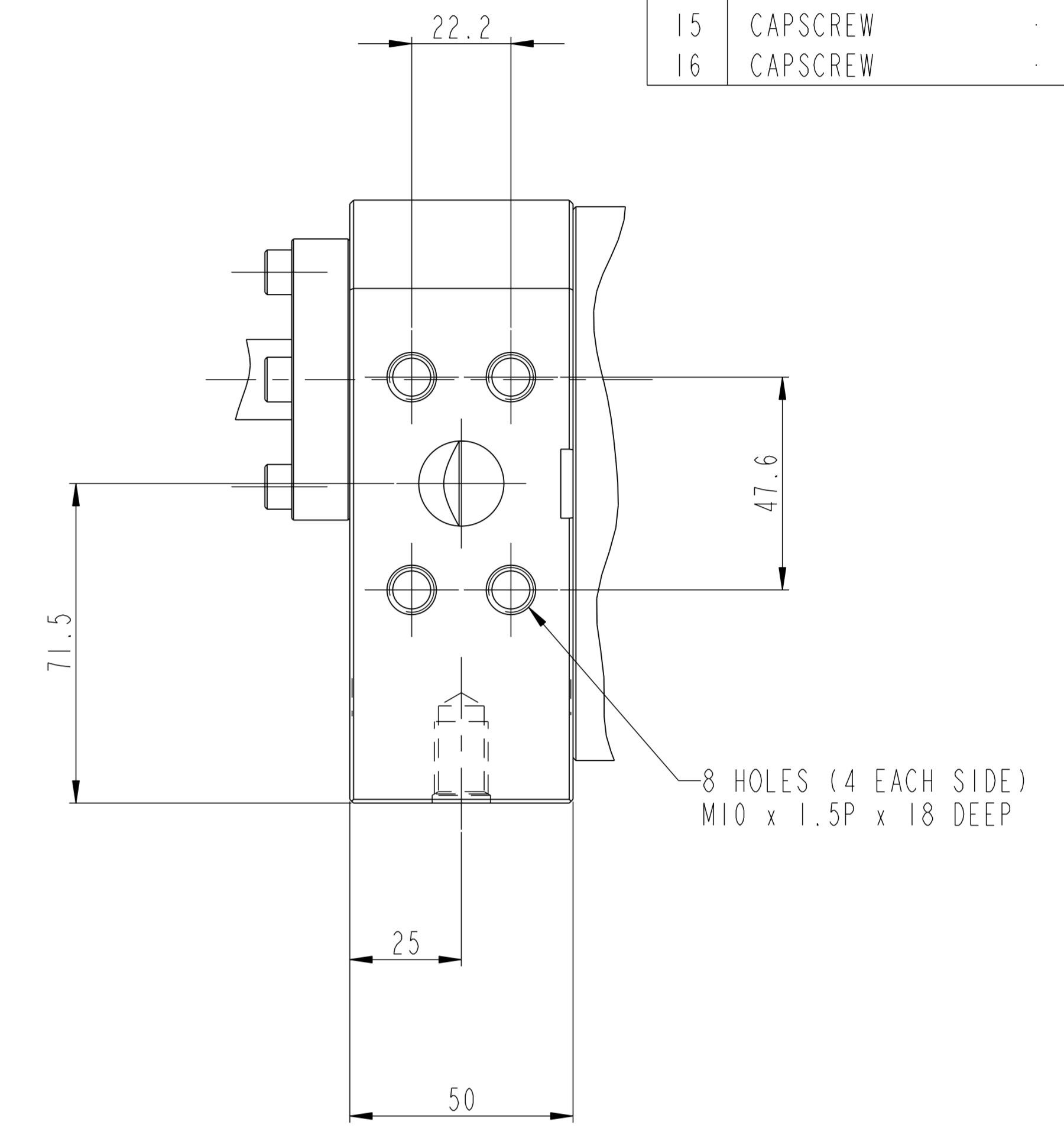
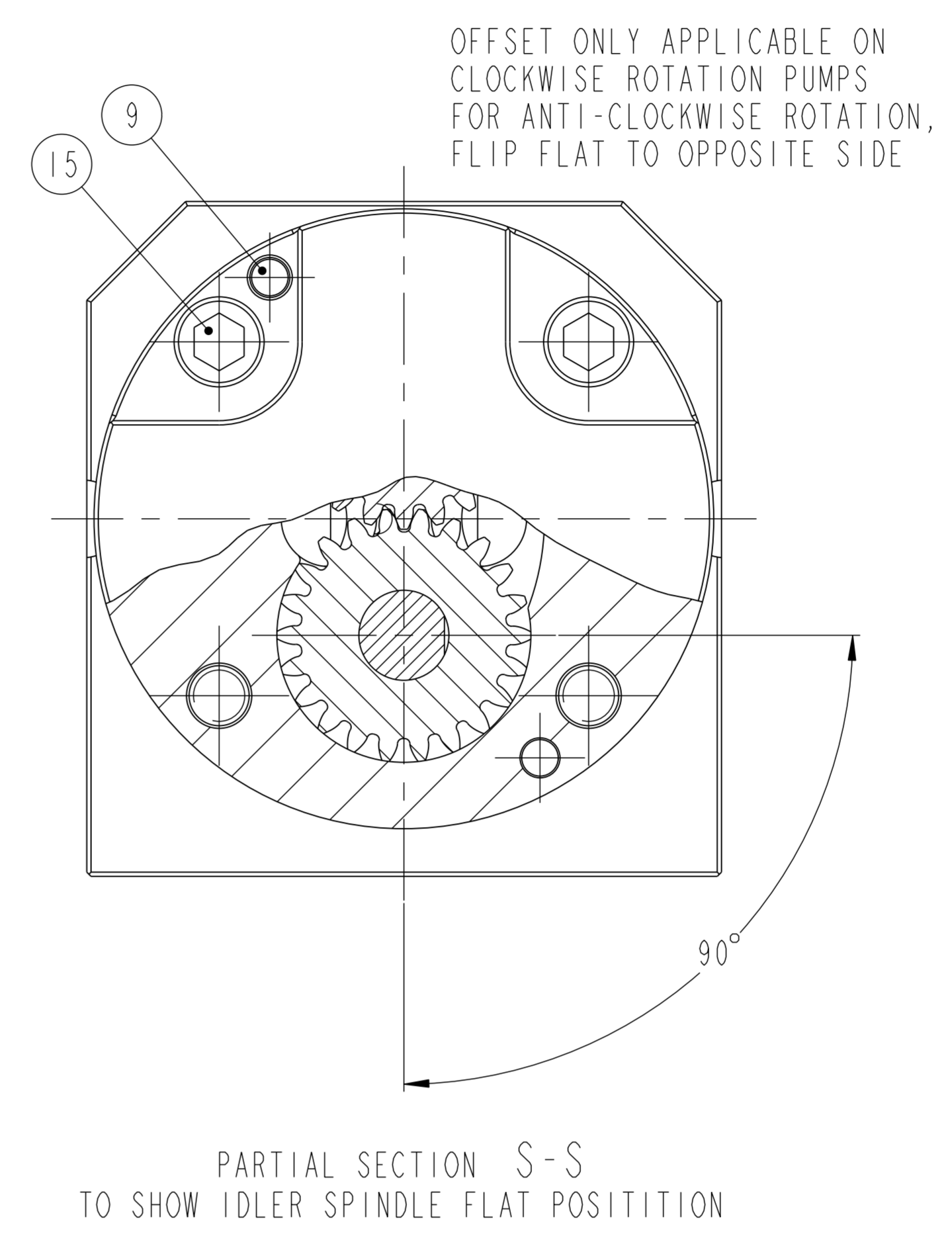
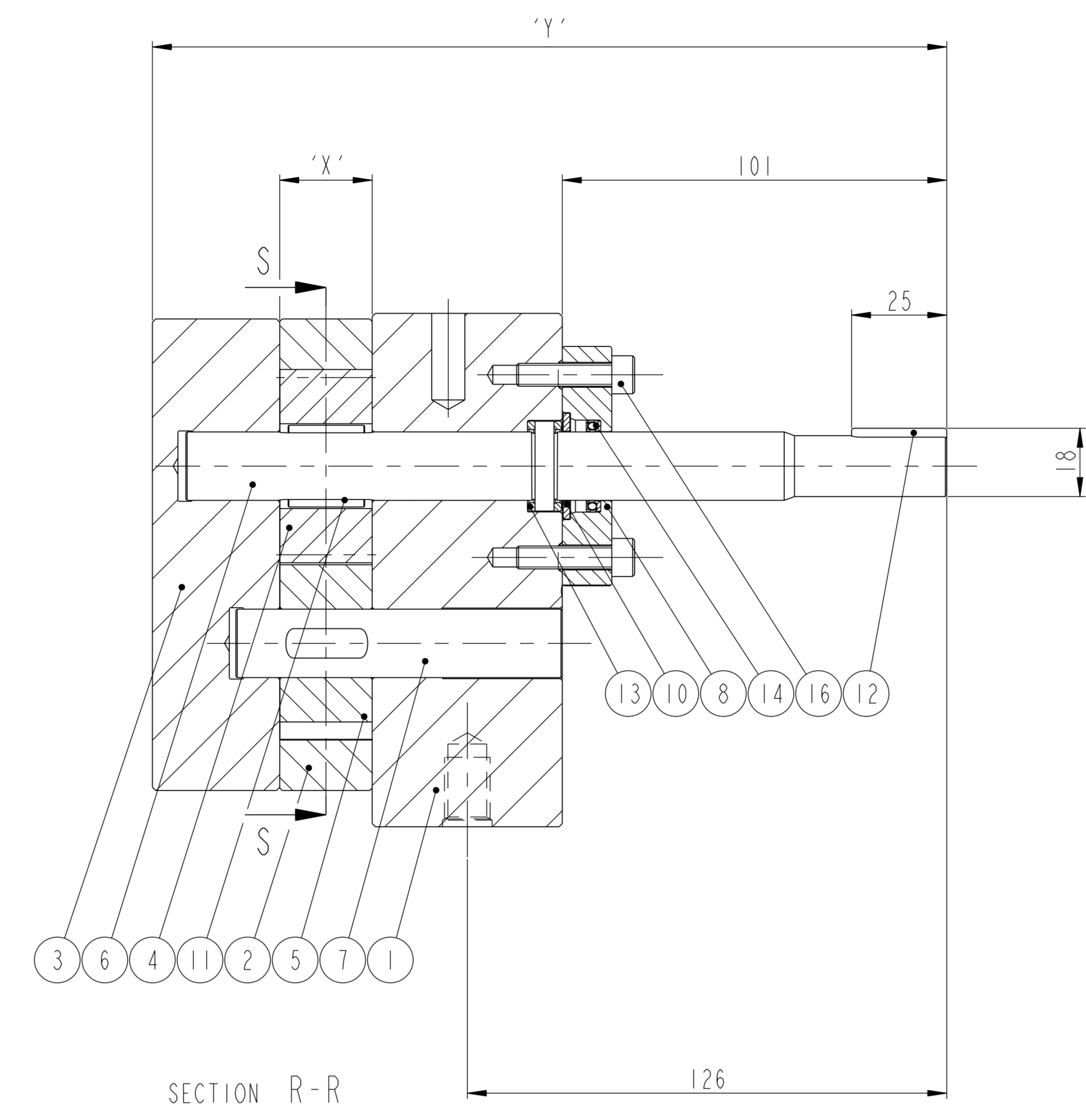
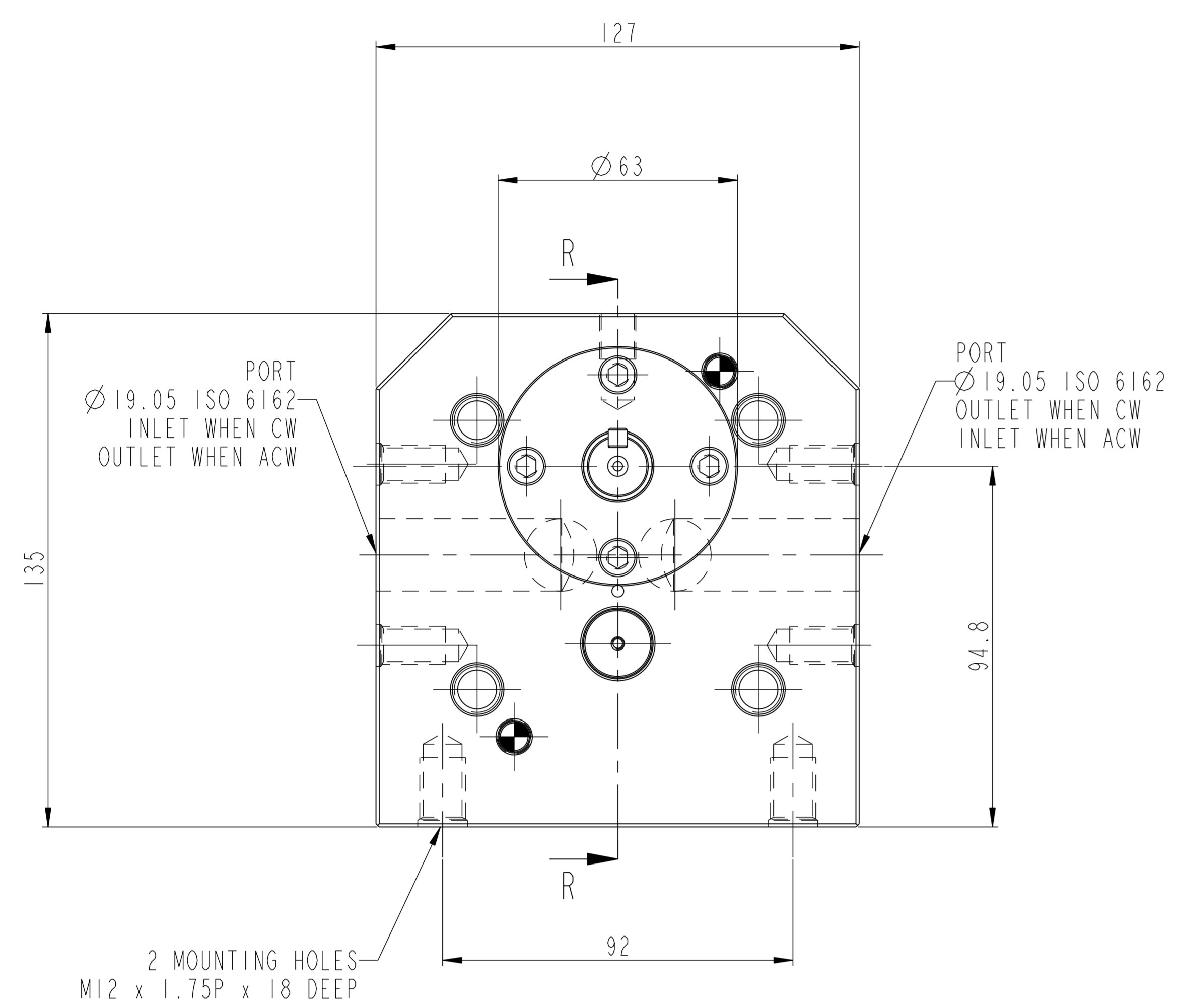
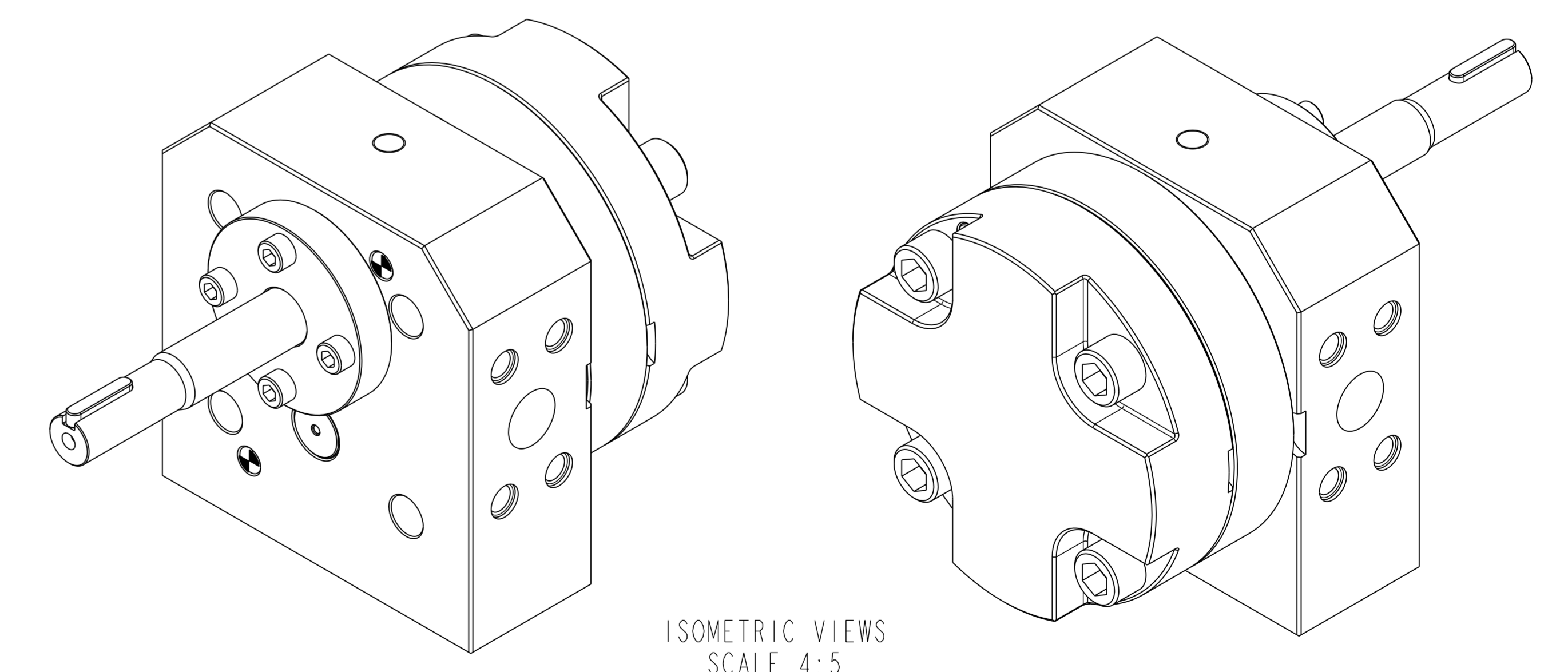


ITEM	DESCRIPTION	QTY
1	FRONT PLATE	1
2	GEAR PLATE	1
3	BACK PLATE	1
4	DRIVING GEAR	1
5	IDLER GEAR	1
6	DRIVING SPINDLE	1
7	IDLER SPINDLE	1
8	SEALING HUB	1
9	DOWEL	2
10	WASHER	1
11	KEY	2
12	KEY (OUTER)	1
13	THRUST WASHER	2
14	OIL SEAL	1
15	CAPSCREW	4
16	CAPSCREW	4

CAD ORIGINAL DO NOT ALTER BY HAND



TYPE	CAP / REV	DIMENSION 'X'	DIMENSION 'Y'	ROTATION	MAIN MATERIALS
SPA15R	15cc	24.4	208.9	CLOCKWISE	440B
SPA15R2					M2
SPA15R4				M390	
SPA15R5				440B	
SPA20R				440B	
SPA20R2	20cc	32.5	217.0	CLOCKWISE	M2
SPA20R4					M390
SPA20R5				440B	
SPA30R	30cc	48.5	233.0	CLOCKWISE	440B
SPA30R2					M2
SPA30R4				M390	
SPA30R5				440B	
SPA30R5				440B	



REV.	ZONE	ALTERATION	SIG. & DATE	CAT.	PROF. OF A SURF.	GEOMETRIC TOLERANCE SYMBOLS REF. B.S. 308 : PART 3 : 1990	MATERIAL	DIMENSIONS IN MM'S ONLY	SCALE 1:1	DATE	SLACK & PARR LTD. KEGWORTH-DERBY-ENGLAND
						STRAIGHTNESS — PARALLELISM // SYMMETRY ≡ SPEC.		SURF. TEXT IN ROUGHNESS NOS.	DR N. BS	15-Oct-2020	
						FLATNESS ▭ SQUARENESS ⊥ M.M.C. ⊕ TREATMENT		TOLERANCE UNLESS STATED	CH'D. CJEN	01-Feb-22	PROJ./TYPE/SERIAL NO. SPA-R (MEDIUM FRAME)
						ROUNDNESS ○ ANGULARITY ∠ MACHINE ✓ HARDNESS		ANGULAR			TITLE
						CYLINDRICITY Ⓞ RUN OUT ↗ M/C OPTIONAL ✓ FINISH		THREAD TOLERANCE CLASS G/H/J/K			ARR & INST OF SPA-R PUMP
						PROF. OF A LINE ⌒ POSITION ⊕ DO NOT M/C ✓ CLASS		SIM. TO B14425 / B11932 / A115887			
						CONCENTRICITY ⊙ TAPER ≡ PATT.		SLACK & PARR LTD. 2020 THE DESIGN AND INFORMATION CONTAINED IN THIS DRAWING IS STRICTLY CONFIDENTIAL AND IS THE EXCLUSIVE PROPERTY OF SLACK & PARR LIMITED AND MUST NOT BE USED, COPIED OR REPRODUCED IN PART OR WHOLE WITHOUT WRITTEN PERMISSION FROM SLACK & PARR LIMITED.			SHEET 1 OF 1
											DRG. NO. A115888