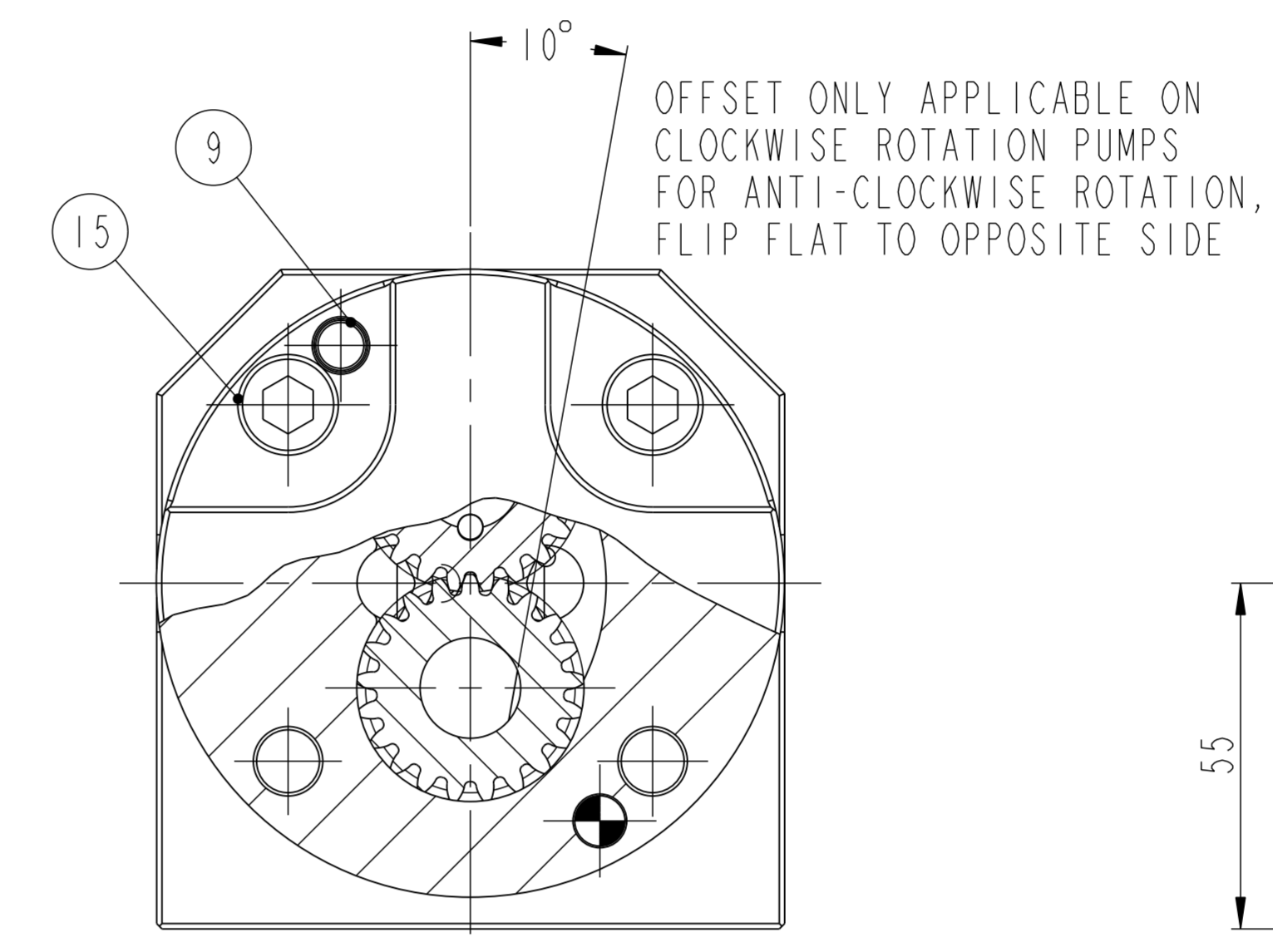
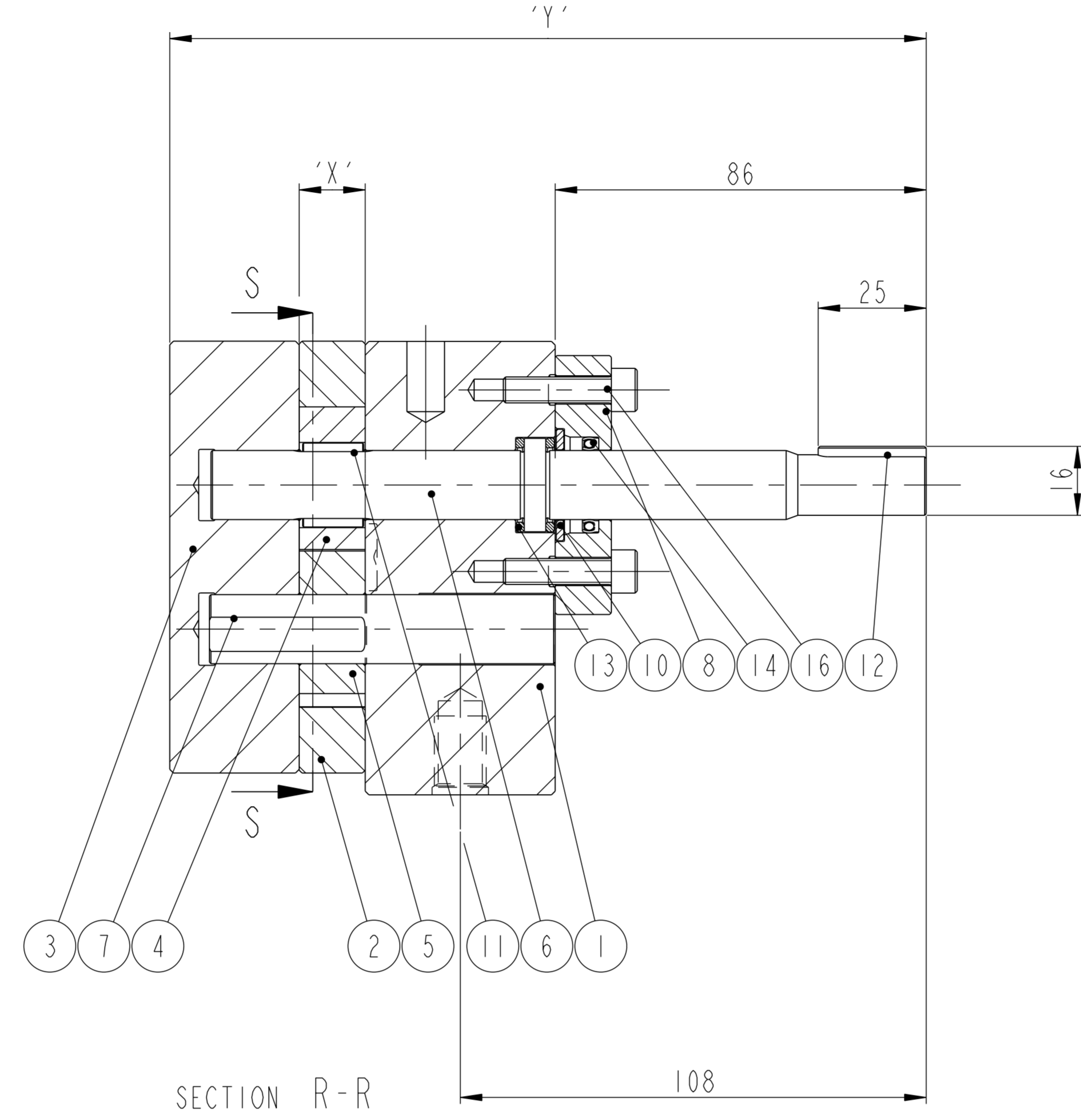
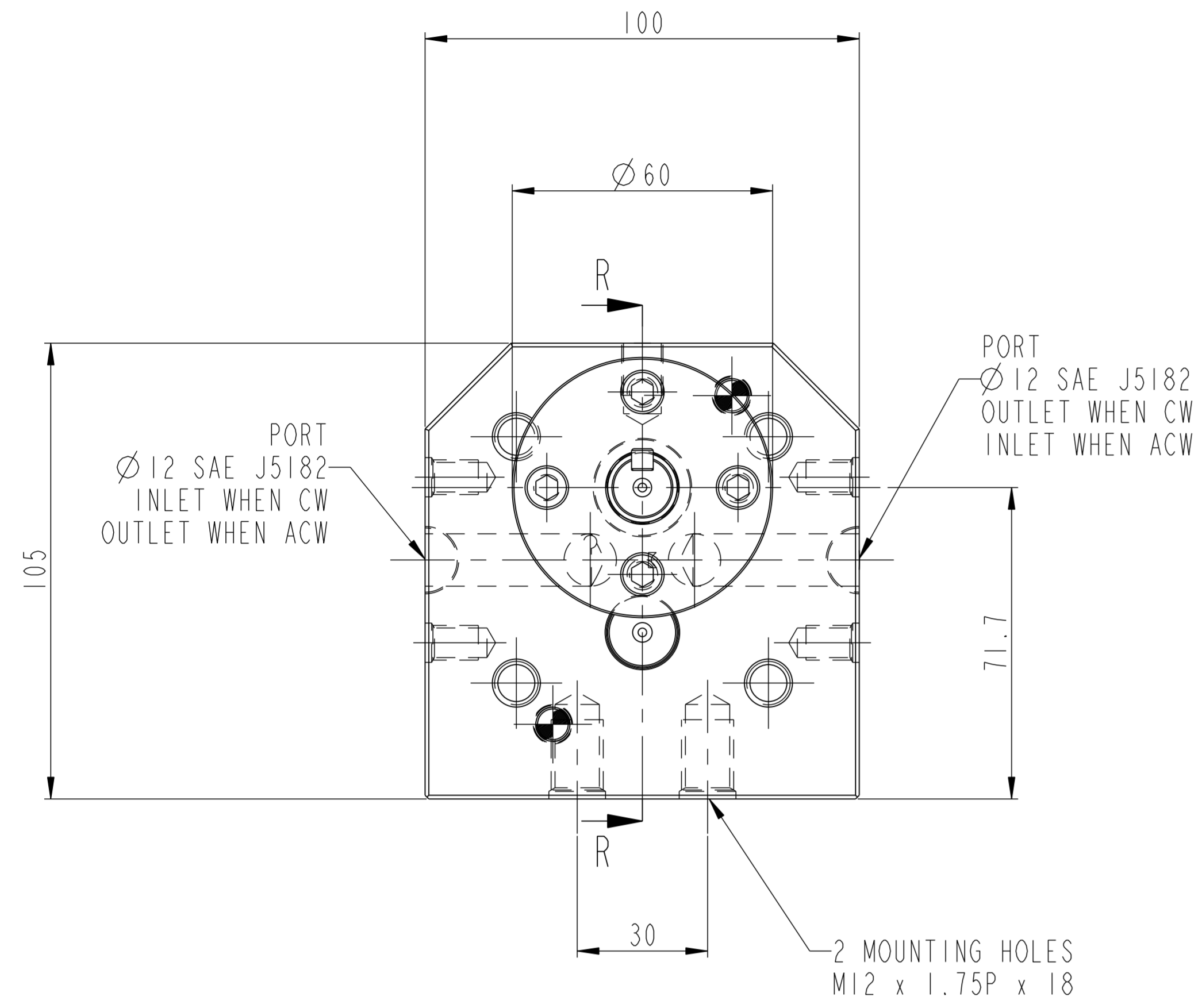
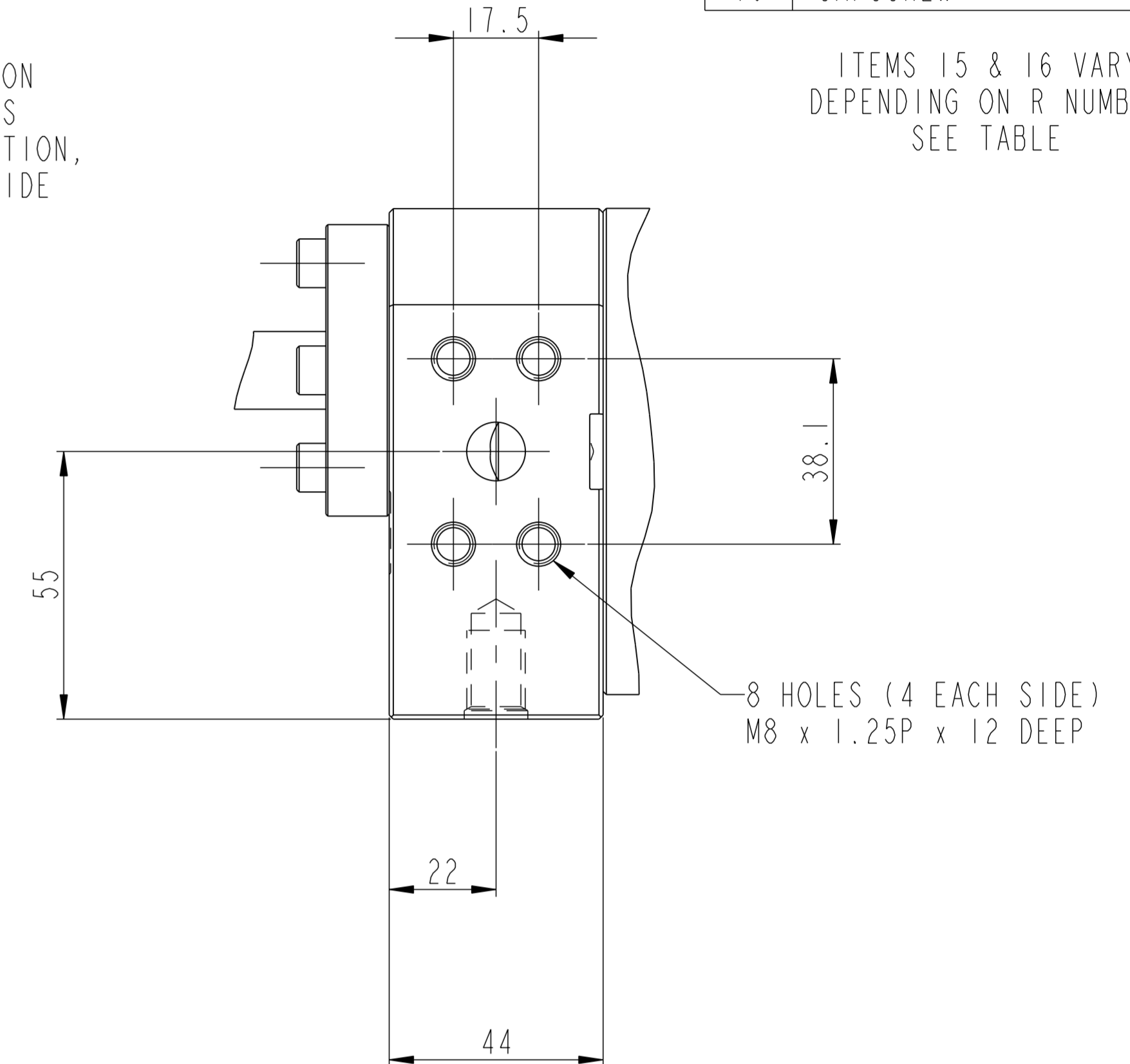


CAD ORIGINAL DO NOT ALTER BY HAND

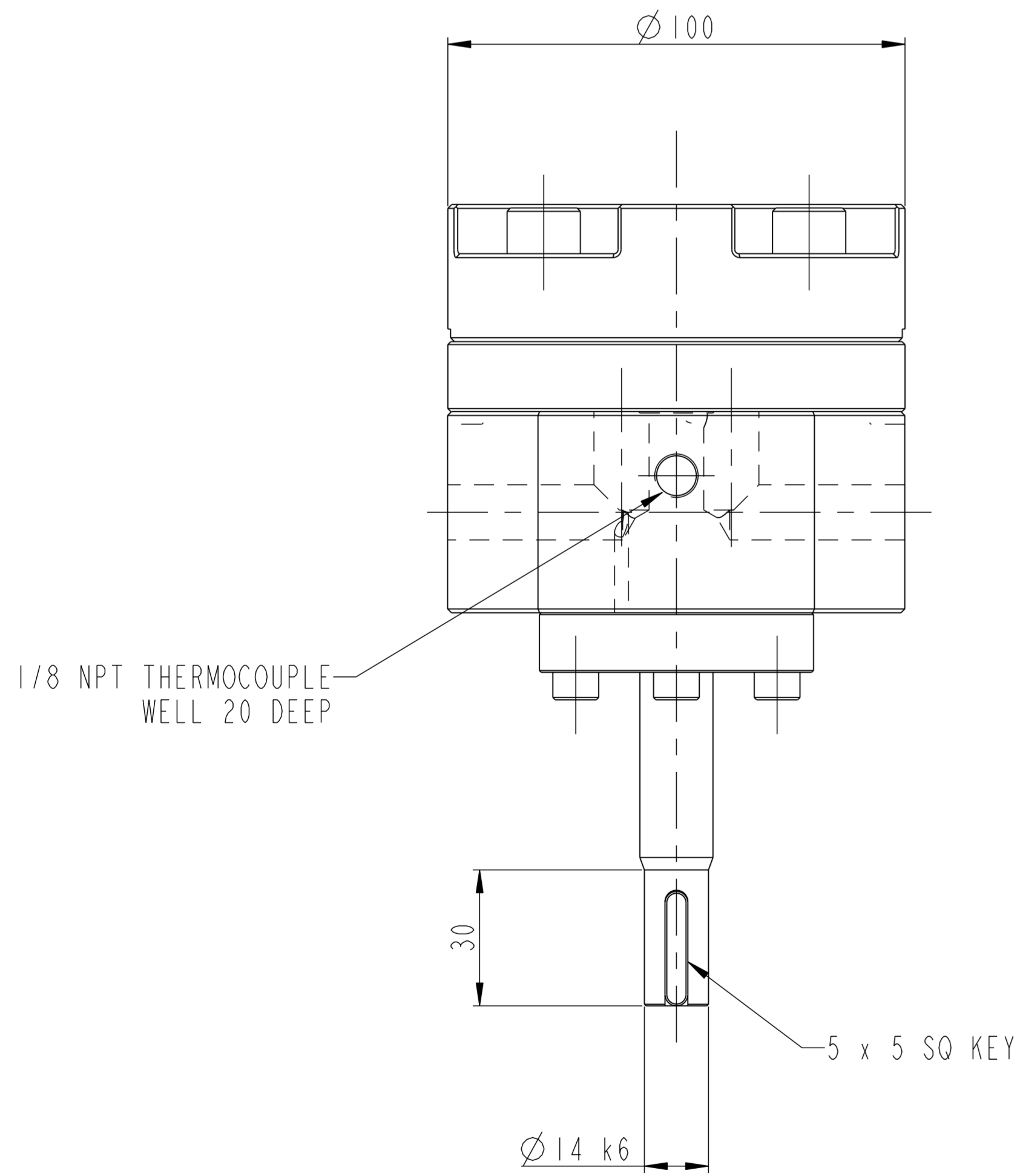
ITEM	DESCRIPTION	QTY
1	FRONT PLATE	1
2	GEAR PLATE	1
3	BACK PLATE	1
4	DRIVING GEAR	1
5	IDLER GEAR	1
6	DRIVING SPINDLE	1
7	IDLER SPINDLE	1
8	SEALING HUB	1
9	DOWEL	2
10	WASHER	1
11	KEY	2
12	KEY (OUTER)	1
13	THRUST WASHER	2
14	OIL SEAL	1
15	CAPSCREW	4
16	CAPSCREW	4



PARTIAL SECTION S-S TO SHOW IDLER SPINDLE FLAT POSITION

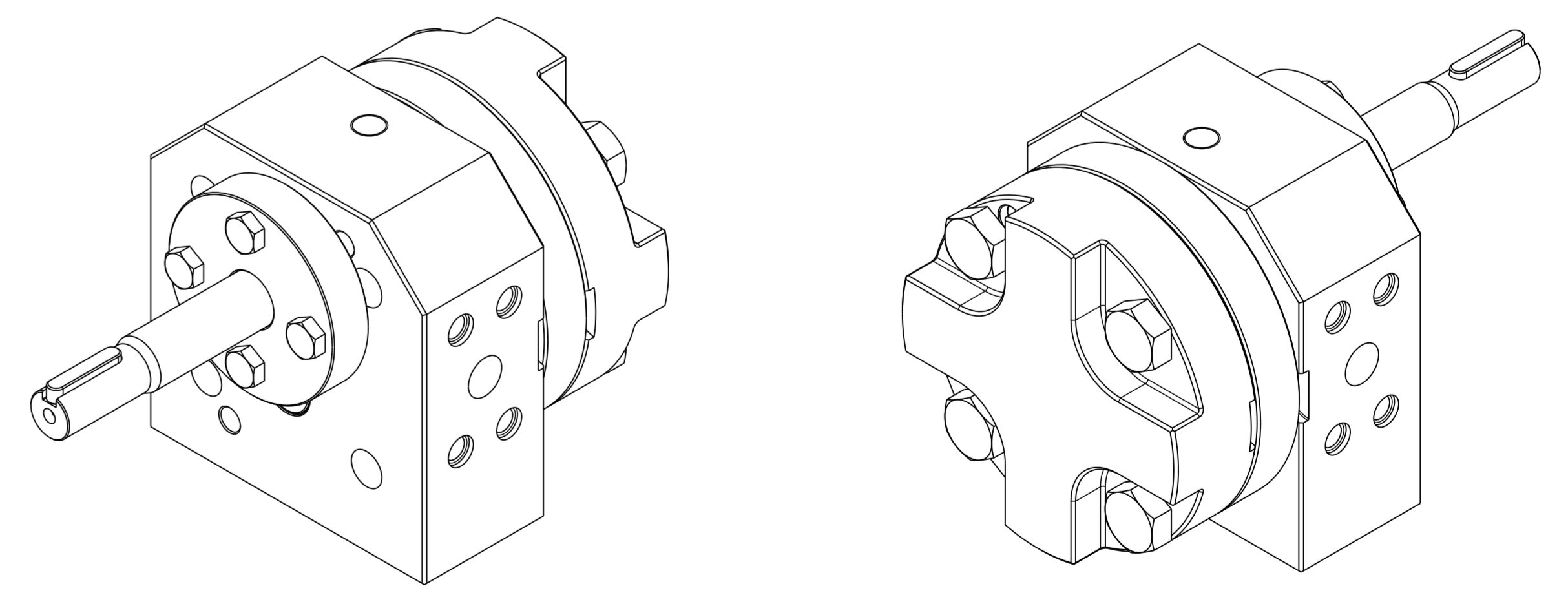


ITEMS 15 & 16 VARY DEPENDING ON R NUMBER SEE TABLE



TYPE	CAP / REV	DIMENSION 'X'	DIMENSION 'Y'	ROTATION	MAIN MATERIALS	FASTENERS	SEAL TYPE
SPA4.5R	4.5cc	15.3	175.0	CLOCKWISE	440B	CAPSCREWS	ALL
SPA4.5R2					M2	CAPSCREWS	PACKED GLAND ONLY
SPA4.5R3					440B	HEX HEAD BOLTS	ALL EXCEPT PACKED GLAND
SPA4.5R4					M390	CAPSCREWS	ALL EXCEPT PACKED GLAND
SPA4.5R5					440B	CAPSCREWS	ALL
SPA9R	9cc	30.6	190.3	CLOCKWISE	440B	CAPSCREWS	ALL
SPA9R2					M2	CAPSCREWS	PACKED GLAND ONLY
SPA9R3					440B	HEX HEAD BOLTS	ALL EXCEPT PACKED GLAND
SPA9R4					M390	CAPSCREWS	ALL EXCEPT PACKED GLAND
SPA9R5					440B	CAPSCREWS	ALL

R1, R6, R7 & R8 ARE NOT INCLUDED ON THIS DRAWING PLEASE SEE F115892 FOR R1 OR F115897 FOR R6, R7 & R8



ISOMETRIC VIEWS SHOWING SPA R3 (FOOD SAFE) HEX HEAD BOLTS SCALE 4:5

IDENTITY ZONE		TEXT	
GEOMETRIC TOLERANCE SYMBOLS REF. B.S. 308 : PART 3 : 1990	MATERIAL	DIMENSIONS IN MM & INCHES	SCALE 1:1
STRAIGHTNESS	PARALLELISM	SYMMETRY	SPEC.
FLATNESS	SQUARENESS	M.M.C.	TREATMENT
ROUNDNESS	ANGULARITY	MACHINE	HARDNESS
CYLINDRICITY	RUN OUT	M/C OPTIONAL	FINISH
PROF. OF A LINE	POSITION	DO NOT M/C	CLASS
CONCENTRICITY	CONCENTRICITY	TAPER	PATT.

DR N. BS	03-Feb-21	SLACK & PARR LTD. KEGWORTH-DERBY-ENGLAND
CH'D. DS	16-sept-21	PROJ./TYPE/SERIAL NO. SPA-R (SMALL FRAME)
TITLE ARR & INST OF SPA-R PUMP		
© SLACK & PARR LTD. 2021 THE DESIGN AND INFORMATION CONTAINED IN THIS DRAWING IS STRICTLY CONFIDENTIAL AND IS THE EXCLUSIVE PROPERTY OF SLACK & PARR LIMITED AND MUST NOT BE USED, COPIED OR REPRODUCED IN PART OR WHOLE WITHOUT WRITTEN PERMISSION FROM SLACK & PARR LIMITED.		
SHEET 1 OF 6	DRG. NO. A115887	REVISION