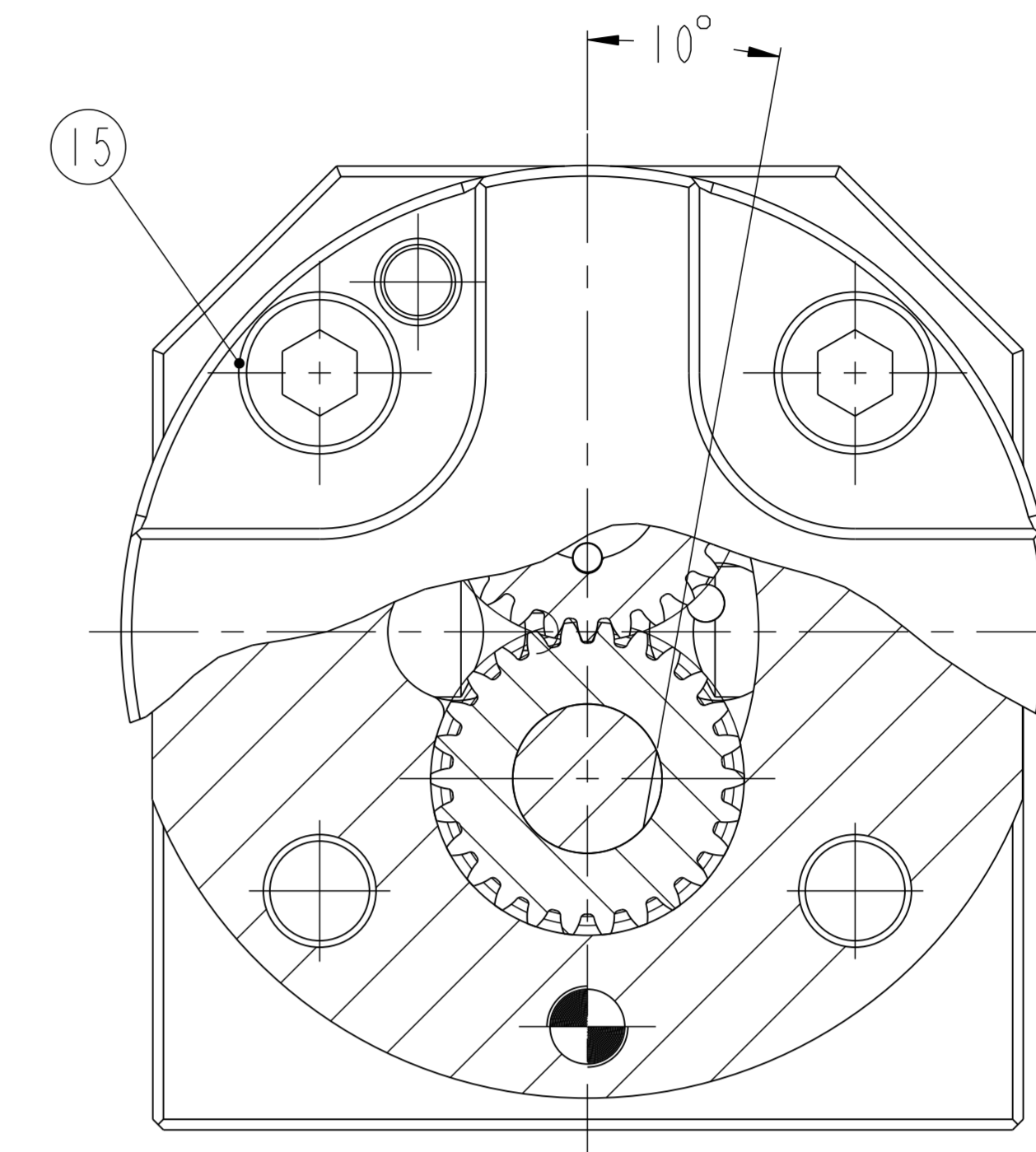
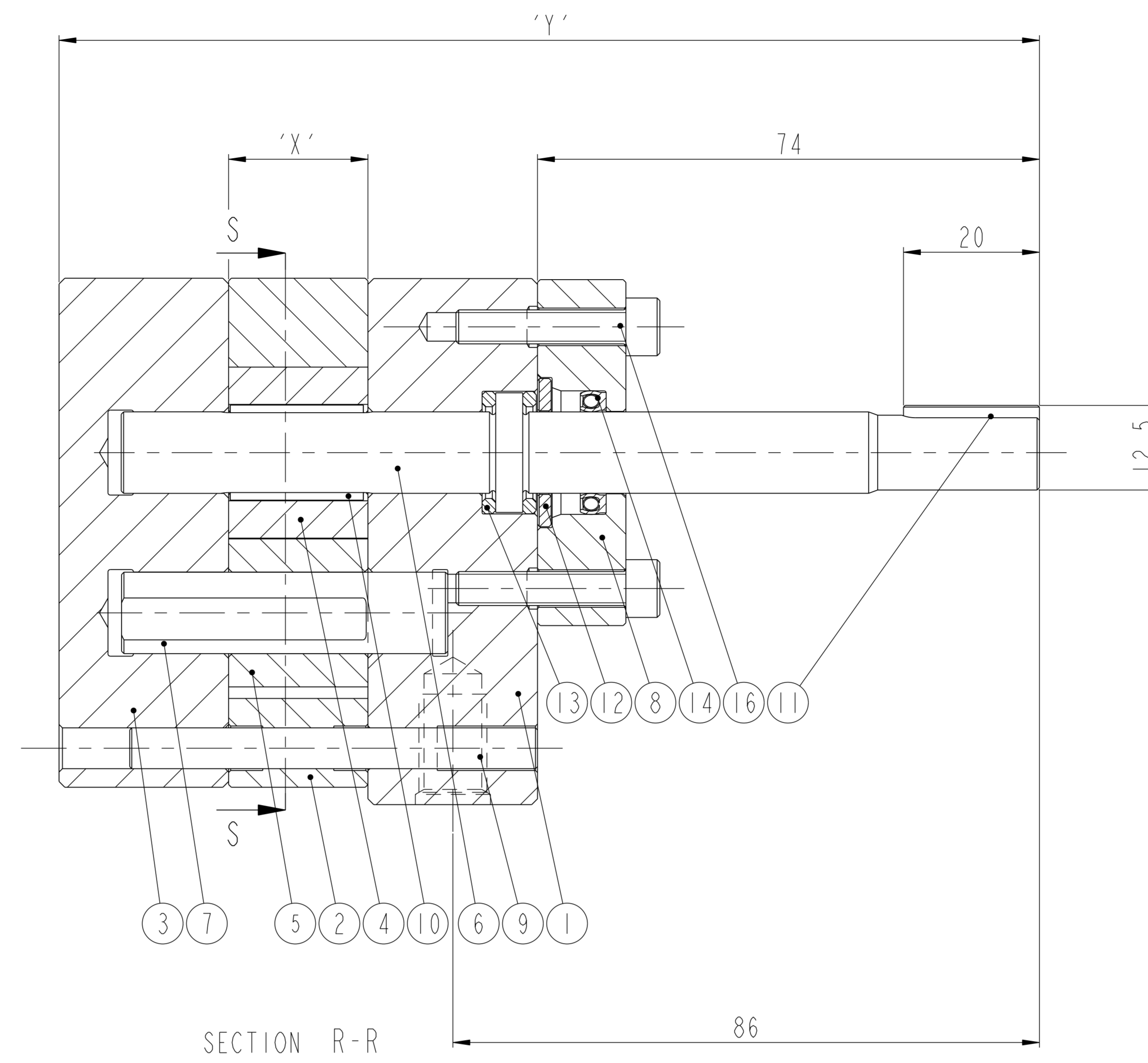
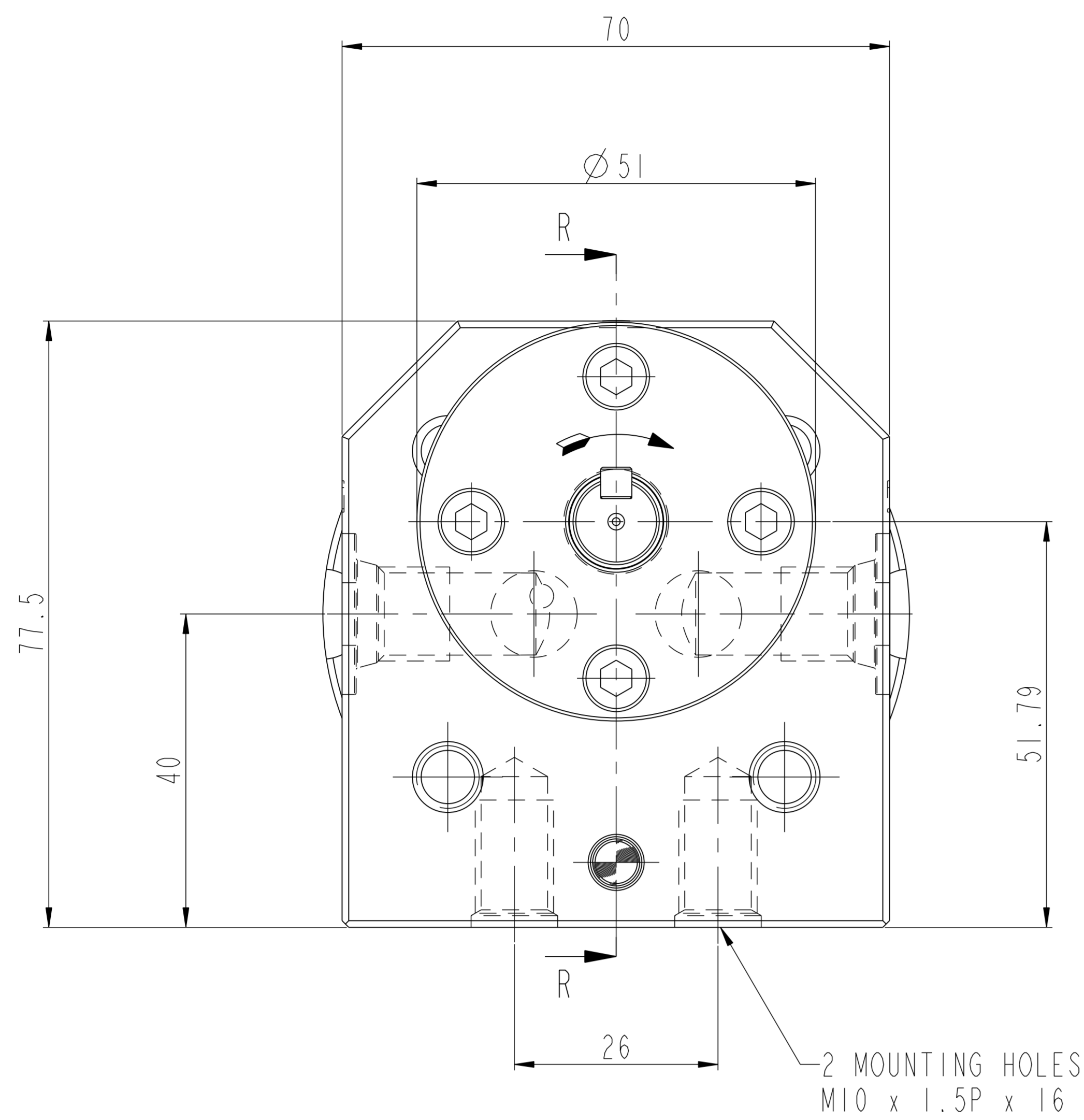
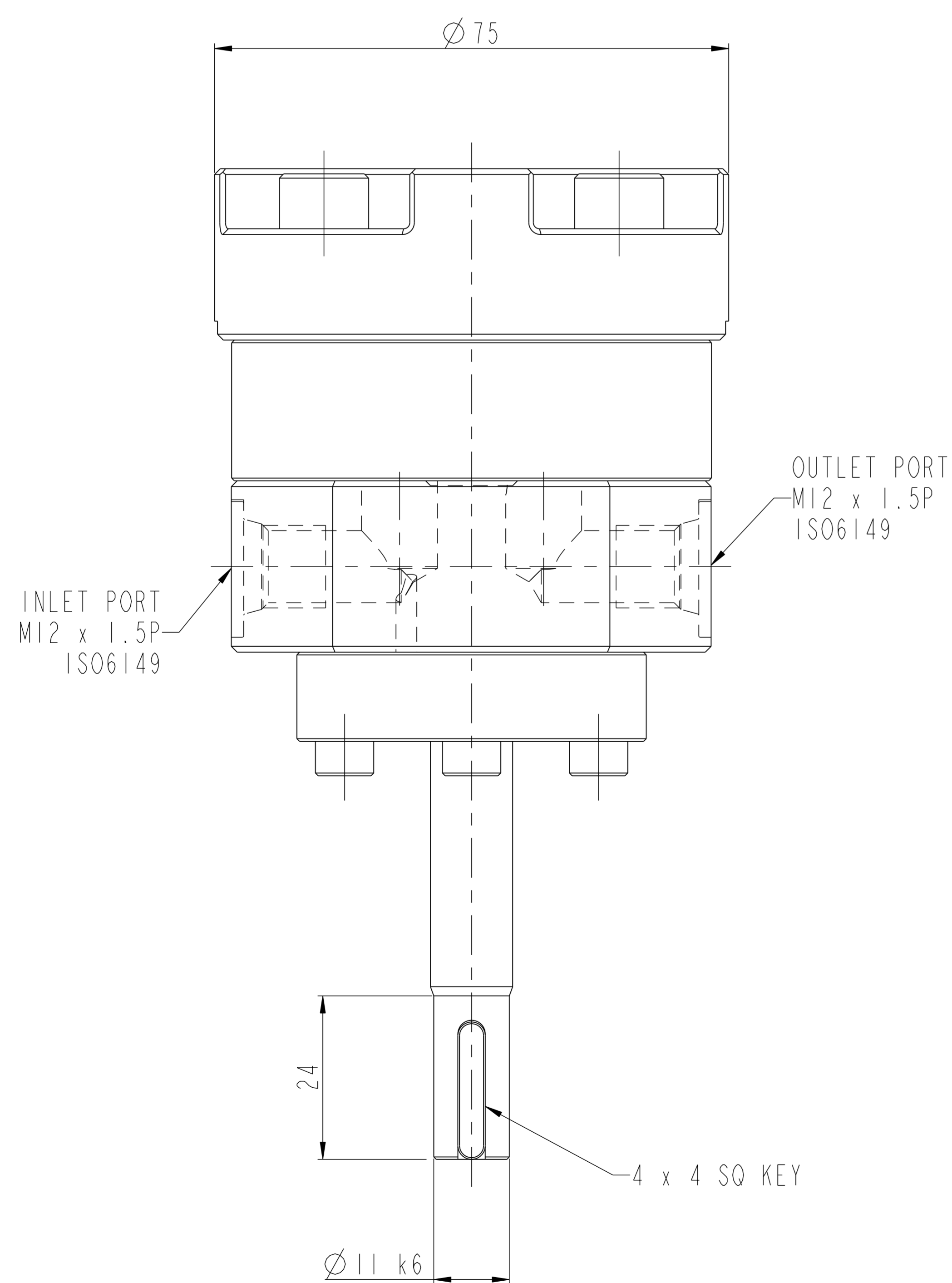


CAD ORIGINAL DO NOT ALTER BY HAND

ITEM	DESCRIPTION	QTY
1	FRONT PLATE	1
2	GEAR PLATE	1
3	BACK PLATE	1
4	DRIVING GEAR	1
5	IDLER GEAR	1
6	DRIVING SPINDLE	1
7	IDLER SPINDLE	1
8	SEALING HUB	1
9	DOWEL	2
10	KEY	2
11	KEY	1
12	WASHER	1
13	THRUST WASHER	2
14	OILSEAL	1
15	CAPSCREW	4
16	CAPSCREW	4

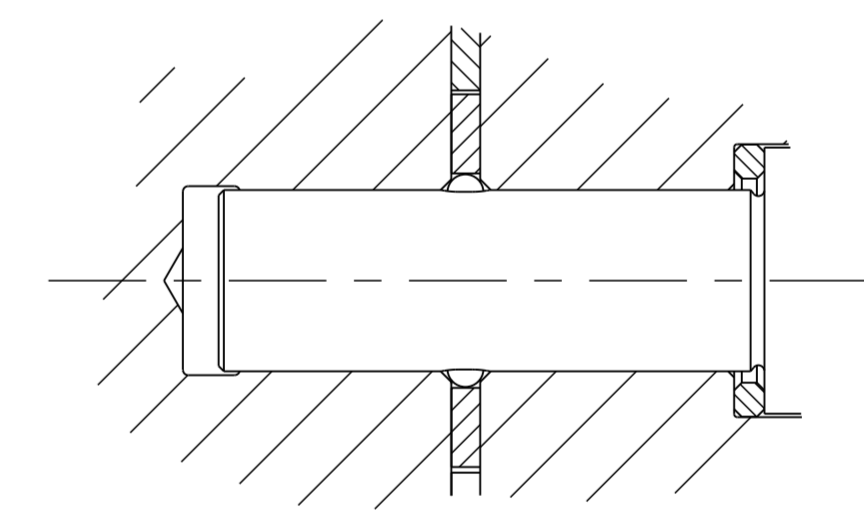


PARTIAL SECTION S-S
TO SHOW IDLER SPINDLE FLAT POSITION

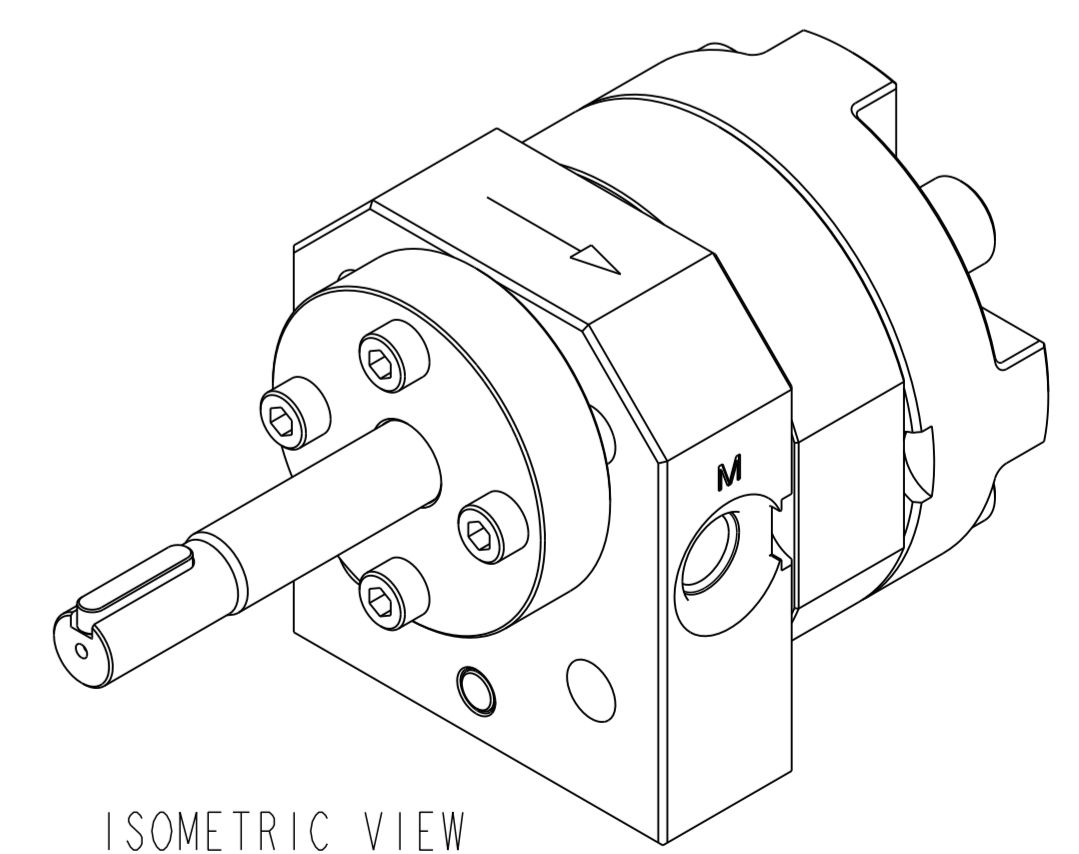


ROTATION : CLOCKWISE

TYPE R, R2 & R4	CAP / REV	DIMENSION 'X'	DIMENSION 'Y'	INTERNAL KEY TYPE
SPA0.15R	0.15cc	1.9	125.9	BALL KEY
SPA0.3R	0.3cc	2.6	126.6	BALL KEY
SPA0.6R	0.6cc	5.1	129.1	STANDARD KEY
SPA1.2R	1.2cc	10.3	134.3	STANDARD KEY
SPA2.4R	2.4cc	20.5	144.5	STANDARD KEY
SPA3R	3.0cc	25.6	149.6	STANDARD KEY



VIEW TO SHOW BALL KEY ARRANGEMENT
SECTION R-R



ISOMETRIC VIEW
SCALE 1:1

IDENTITY ZONE		TEXT	
STRAIGHTNESS	PARALLELISM	SYMMETRY	SPEC.
FLATNESS	SQUARENESS	M.M.C.	TREATMENT
ROUNDNESS	ANGULARITY	MACHINE	HARDNESS
CYLINDRICITY	RUN OUT	M/C OPTIONAL	FINISH
PROF. OF A LINE	POSITION	DO NOT M/C	CLASS
CONCENTRICITY		TAPER	PATT.

DR. N. BS	DATE	SLACK & PARR LTD. KEGWORTH-DERBY-ENGLAND
CH'D. DS	30-Jun-21	PROJ./TYPE/SERIAL NO. SPA MINI R
TITLE ARR & INST OF SPA-R PUMP		
SHEET ORG. NO. 1 OF 6 A115886		

F